

EK SERIES REDUCTOR

I 、 Characteristics:

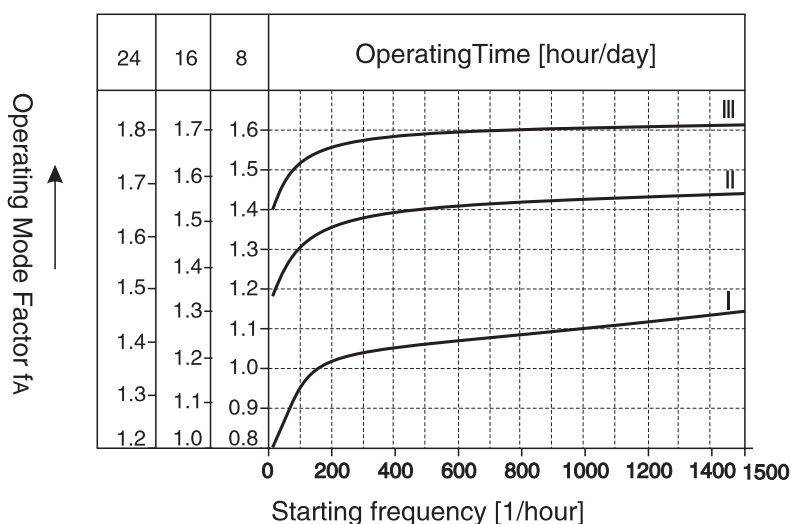
1. **Our** reducers are based on the building block design, so it's convenient for them to fit all types of motors or to connect with other power input. The same type of reducers can fit motors with different power, so that it's possible for different types of machines to combine or connect.
2. High transmission efficiency. A single machine can reach a transmission efficiency as much as 96%.
3. Precise division of transmission ratio with a wide range. The combination of machines can produce a larger transmission ratio at a low output rotational speed.
4. Various ways of installation. Horizontal installation at any position or flanged installation, The bottom feet installs the machine that deceleration machine have two bottom feets processes to install the flat surface.

II 、 Working Environment:

1. Working temperature: $-40^{\circ}\text{C}\sim 50^{\circ}\text{C}$ (The lubrication should be heated until above 0°C if the machine works Below 0°C .)
2. The working place should be lower than 1,000 meters above sea level.
3. The input rotational speed should not exceed 1,800r/m. The circumferential speed of the gear should not exceed 22 m/s.
4. Suitable for normal–reverse rotation.
5. Without industry limitation.
6. Please consult our technical supporting department for other circumstances.

III、 Instructions for Selection :

The daily operating time, the starting frequency and the load classifications be determined before deciding the service factor. The load classifications is calculated with the following formula:



Load classification

Uniform load, mass acceleration factor ≤ 0.2

Medium Impact Load, mass acceleration factor ≤ 3

Heavy shock Load, mass acceleration factor ≤ 10

EK SERIES REDUCTOR

Please contact our technical supporting department in case the mass acceleration factor > 10.

$$\text{Mass acceleration factor} = \frac{\text{All external mass moments of Inertia}}{\text{Mass moment of inertia on the motor end}}$$

The actual operating mode factor (f_A) should meet the following formula:

$$\text{Service factor } f_B \geq \text{operating mode factor } f_A$$

The service factor f_B is listed in the parameter selection list.

The permitted overhung loads and the axial forces.

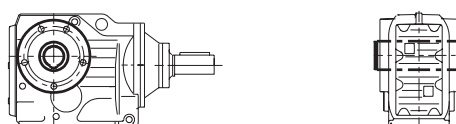
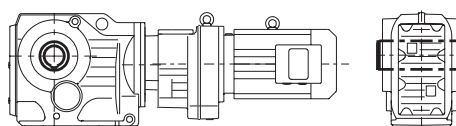
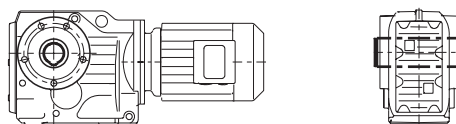
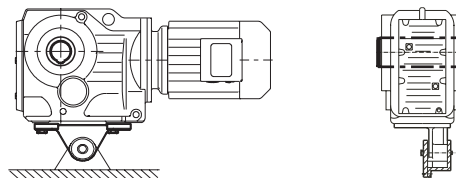
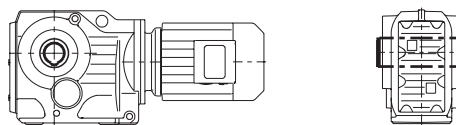
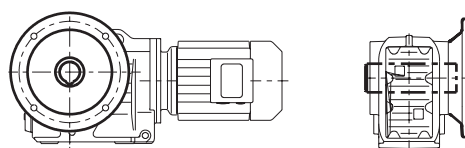
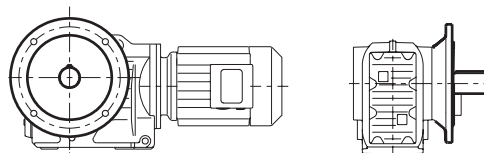
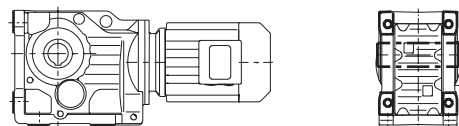
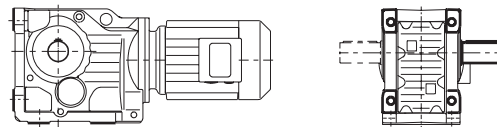
Please contact our technical supporting department for the information on the permitted overhung loads and the axial forces at the output end of the shaft.

Regarding the use and maintenance of the reductor, please refer to the attached Instruction Manual of the Reductor and the Variable Speed Motor.

EK SERIES REDUCTOR

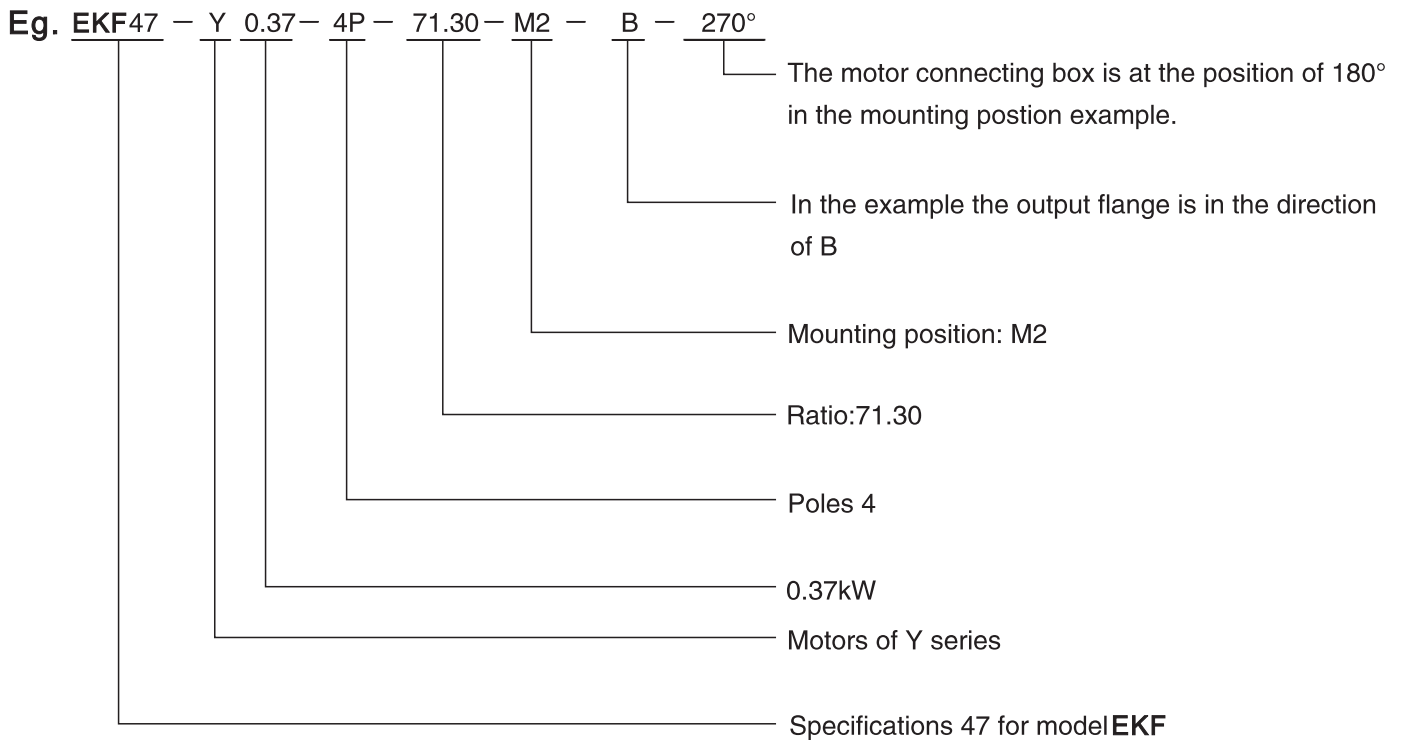
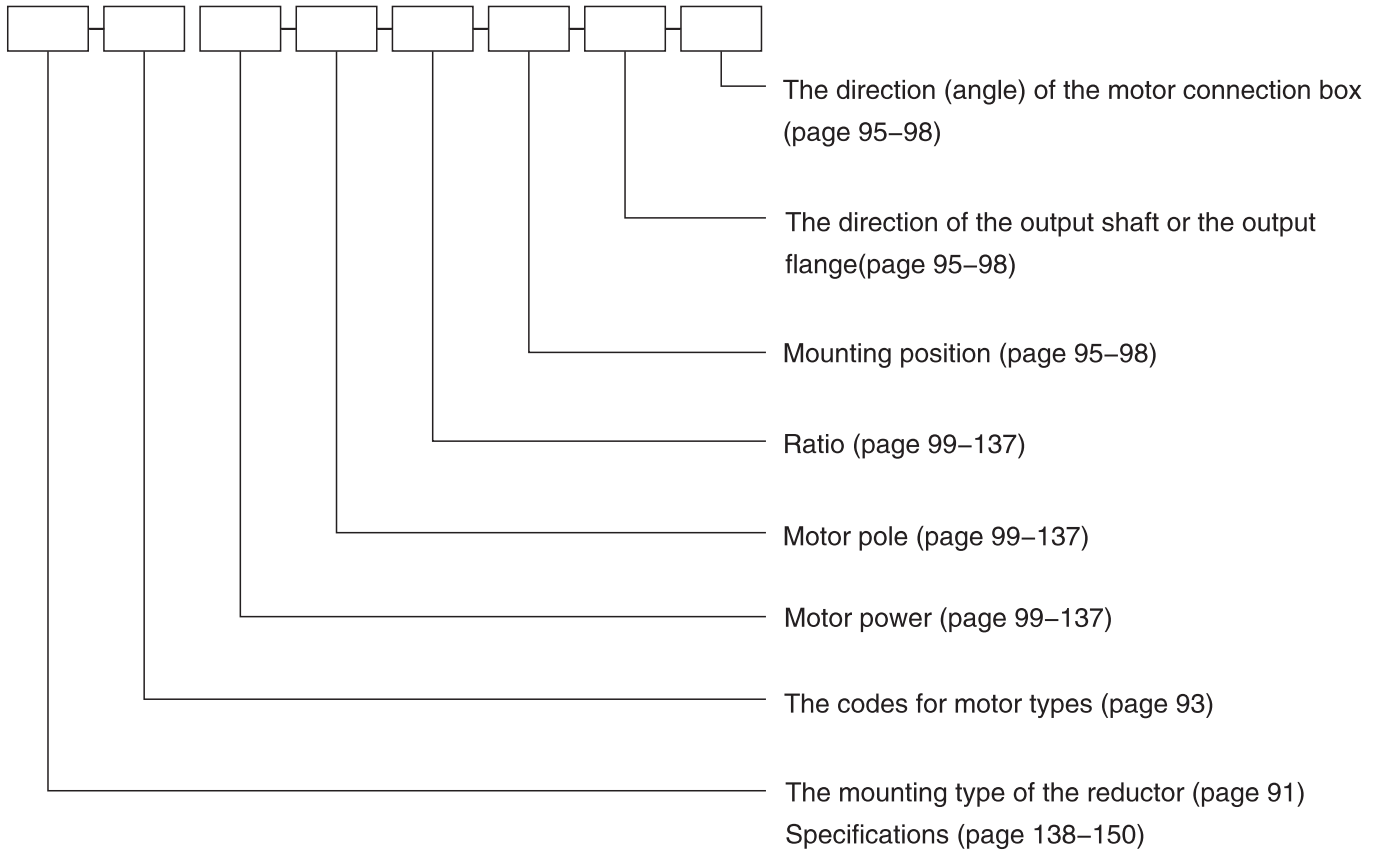
IV. Mounting type:

1. Model **EK**
Foot-mounted helical-bevel gear reductor
2. Model **EKAB**
Foot-mounted helical-bevel gear reductor with hollow shaft
3. Model **EKF**
Helical-bevel gear reductor in B5 flange-mounted version
4. Model **EKAF**
Helical-bevel gear reductor in B5 flange-mounted version with hollow shaft
5. Model **EKAF**
Helical-bevel gear reductor with hollow shaft
6. Model **EKAT**
Helical-bevel gear reductor in torque-arm version with hollow shaft
7. Model **EKAZ**
Helical-bevel gear reductor in B14 flange-mounted version with hollow shaft
8. Model **EK..ER**
Combination of **EK** series reductor and **ER..7** series reductor
9. Model **EK..S**
Input-shaft style, in another word, helical-bevel gear reductor equipped with input shaft but without the motor



EK SERIES REDUCTOR

V、Instructions for Models:



EK SERIES REDUCTOR

- Note:1. The input-shaft style is not equipped with any motor
2. Motors of Y series are supplied with protection grade of IP54 unless otherwise specified.
 3. The mounting position of M1 as shown in the mounting position example (Page 95–98) is the default way when supplying unless otherwise specified.
 4. 0° as shown in the mounting position example (Page 95–98) is the default connection box angle when supplying unless otherwise specified.
 5. The mounting position of A as shown in the mounting position example (Page 95–98) is the default way when supplying reducers such as **EK**、**EKF**、**EKAF**、**EKAZ** model unless otherwise specified.
 6. It is necessary to note the direction of rotation from the output shaft end.

VI、Codes for Motor Types:

Y series	Y	Flame-proof Motor	YB	Direct Current Motor	Z
Brake Motor	YEJ	Roll Motor	YG	Variable Frequency Motor	YVP

VII、Length of Connect Flange L2

The form on length of the connect flange L2 of the helical-bevel gear reductor of EK.. series

Motor frame size \ Reductor type	63	71	80	90	100	112	132	160	180	200	225	250	280	315
EK..37	56	56	56	56	56	—	—	—	—	—	—	—	—	—
EK..47	56	57	72	72	68	68	90	—	—	—	—	—	—	—
EK..57	56	57	72	72	68	68	90	—	—	—	—	—	—	—
EK..67	56	57	72	72	68	68	90	—	—	—	—	—	—	—
EK..77	56	57	68	68	68	68	90	129	—	—	—	—	—	—
EK..87	—	—	62	62	74	74	83	119	119	—	—	—	—	—
EK..97	—	—	—	50	50	50	70	113	113	123	—	—	—	—
EK..107	—	—	—	—	55	55	76	112	112	130	151	—	—	—
EK..127	—	—	—	—	—	—	78	112	112	130	135	139	139	—
EK..157	—	—	—	—	—	—	—	100	100	111	116	120	120	170
EK..167	—	—	—	—	—	—	—	100	100	111	116	120	120	170
EK..187	—	—	—	—	—	—	—	—	76	76	105	115	115	150

EK SERIES REDUCTOR

VIII、Explanation of mounting position example



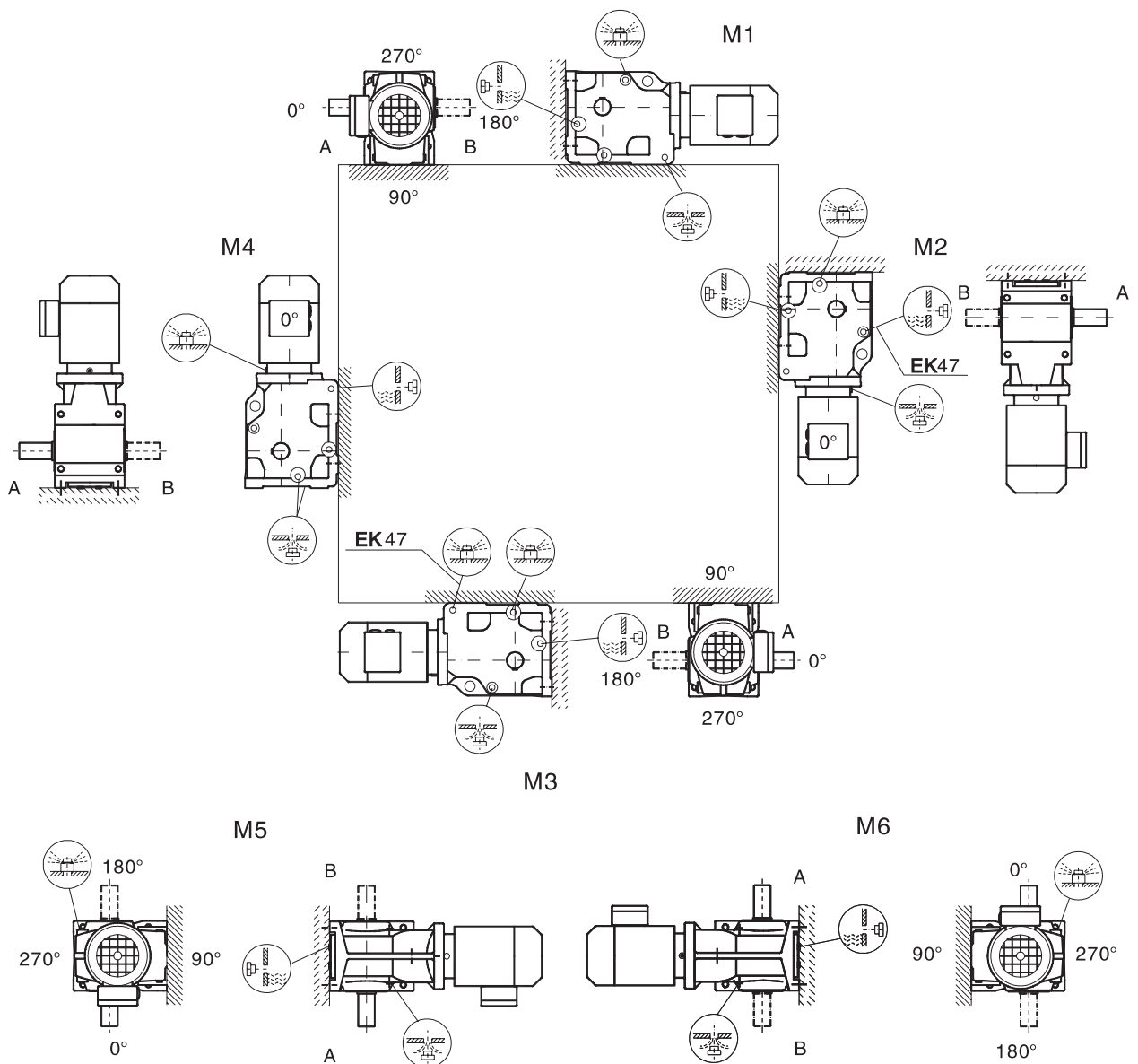
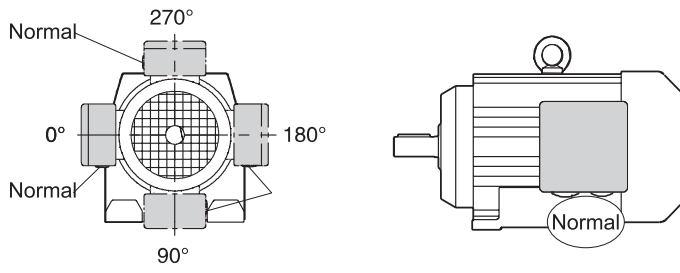
IX、Explanation of Parameter Selection List

Power (kW)	Output speed (r/min)	Output torque (N · m)	Ratio (i)	Service factor (fB)	Type	Motor pole	Weight (kg)
0.37	11	336	132.32 ★	1.19	EK 47	4P	37
	11	318	125.23 ★	1.26	EKA 47	4P	36
	13	271	106.69 ★	1.47	EKF 47	4P	39
	15	235	92.27 ★	1.71	EKAF 47	4P	38
	16	219	86.20	1.83			
	18	193	75.80	2.1			
	19	181	71.30	2.2			
	22	161	63.44	2.5			

- ★ indicates that the reductor with this transmission ratio cannot connect the motor directly, in another word, the length of the connect flange L2 is necessary.
- The machine types in the parameter selection list can match any transmission ratio in the column.
- The parameters in this list also fits model **EKAB, EKAZ, EKAT**.

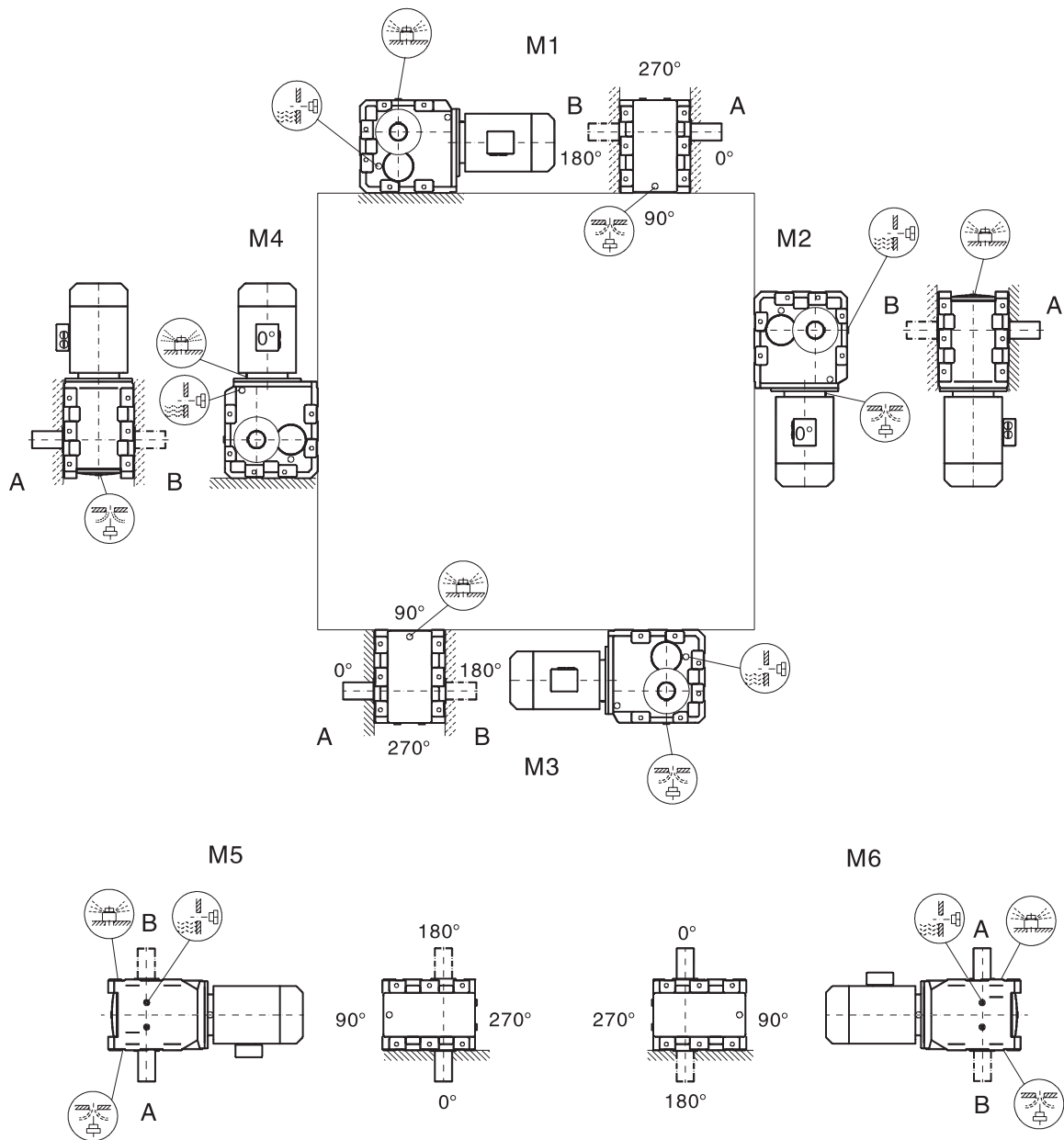
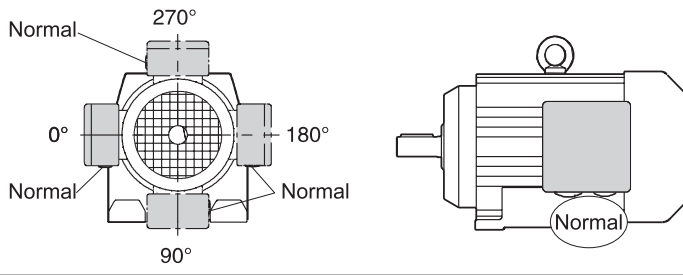
EK SERIES REDUCTOR

EK/EKAB37-157 Mounting position example



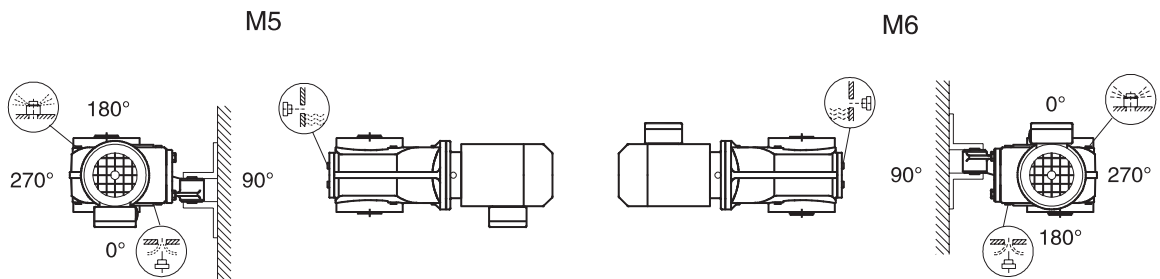
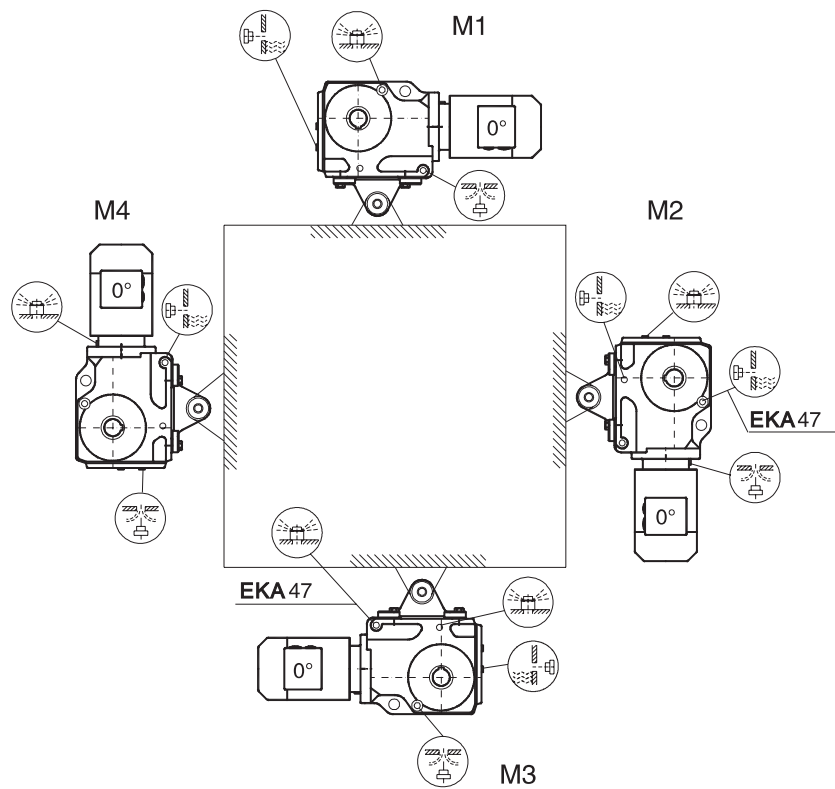
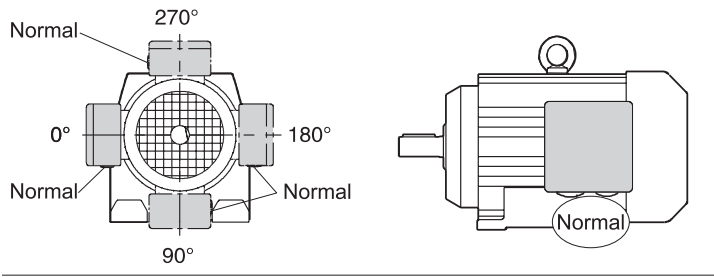
EK SERIES REDUCTOR

EK/EKA167-187 Mounting position example



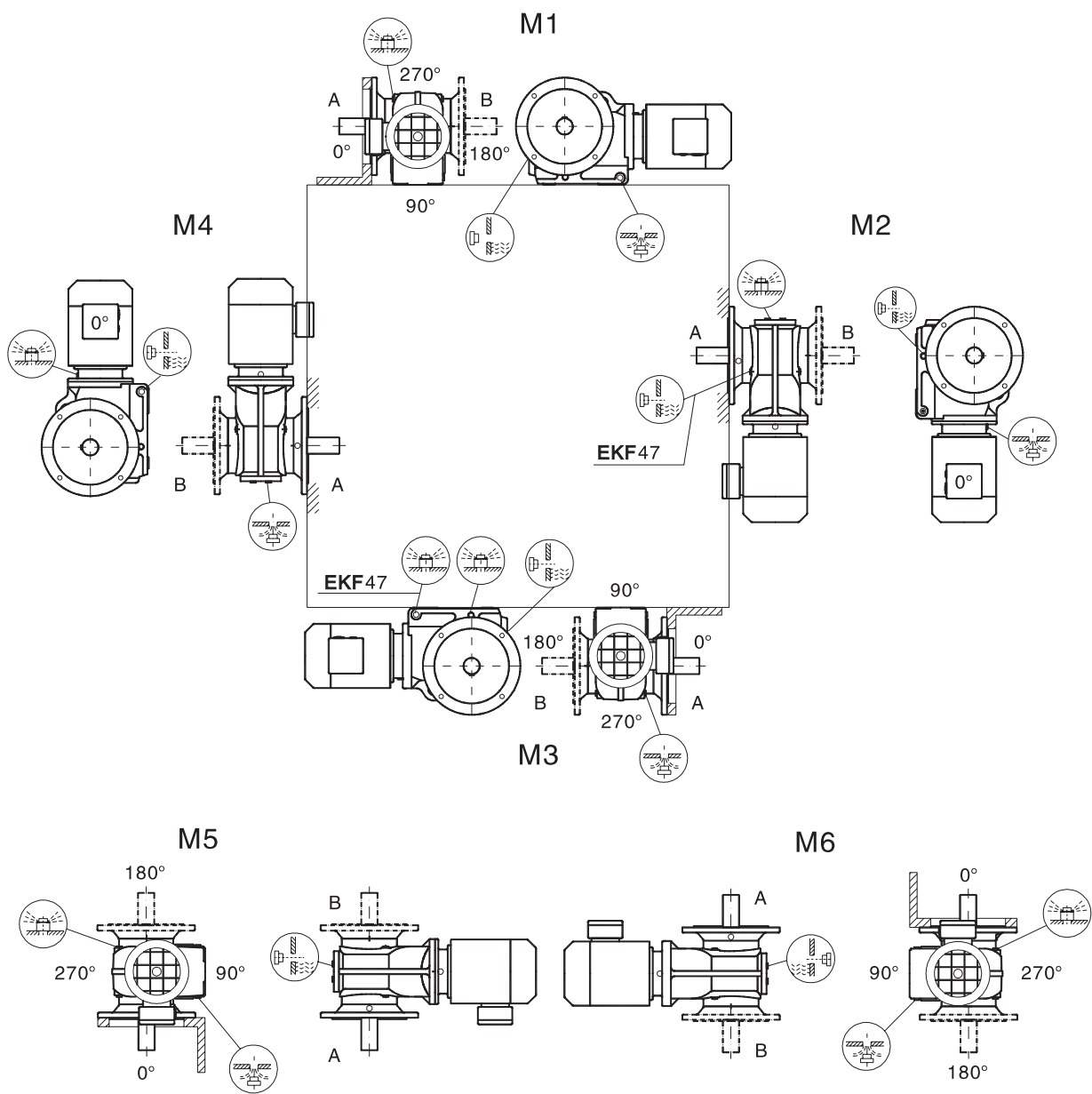
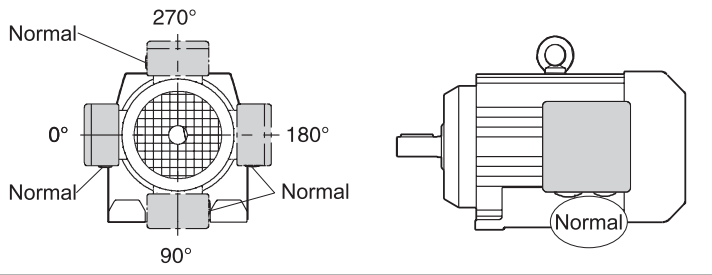
EK SERIES REDUCTOR

EKA/EKAT37-157 Mounting position example



EK SERIES REDUCTOR

EKF/EKAF/EKAZ37-157 Mounting position example



EK SERIES REDUCTOR

Power (kW)	Output speed (r/min)	Output torque (N · m)	Ratio (i)		Service factor (fB)	Type	Motor pole	Weight (kg)
0.18	0.10	16892	14378	★	0.80	EK 127ER77	4P	586
	0.11	14358	12221	★	0.86	EKA 127ER77	4P	556
	0.12	13315	11333	★	0.93	EKF 127ER77	4P	626
	0.14	11557	9837	★	1.07	EKAF127ER77	4P	596
	0.16	10135	8627		1.22			
	0.18	9068	7718		1.36			
	0.21	7624	6490		1.62			
	0.24	6821	5806		1.81			
	0.28	5930	5047		2.1			
	0.32	5148	4382		2.4			
	0.36	4530	3856		2.7			
	0.41	3938	3352		3.1			
	0.17	9871	8402		0.80	EK 107ER77	4P	391
	0.19	8581	7304		0.89	EKA 107ER77	4P	366
	0.23	7249	6170		1.05	EKF 107ER77	4P	401
	0.24	6752	5747		1.13	EKAF107ER77	4P	386
	0.27	6080	5175		1.25			
	0.32	5066	4312		1.50			
	0.36	4539	3863		1.67			
	0.41	3946	3358		1.93			
	0.47	3470	2953		2.2			
	0.53	3088	2629		2.5			
	0.61	2685	2285		2.8			
	0.31	5302	4513		0.80	EK 97ER57	4P	244
	0.35	4723	4020		0.86	EKA 97ER57	4P	224
	0.39	4188	3564		0.98	EKF 97ER57	4P	264
	0.44	3737	3181		1.09	EKAF97ER57	4P	249
	0.51	3222	2743		1.27			
	0.57	2875	2447		1.42			
	0.63	2578	2195		1.58			
0.74	2212	1883		1.85				
0.86	1889	1607		2.2				
0.99	1657	1410	★	2.5				
1.1	1486	1265	★	2.7				
1.3	1275	1085	★	3.2				
1.5	1126	958		3.6				
1.6	1010	859		4.0				
1.9	874	744		4.7				
0.45	3662	3117		0.80	EK 87ER57	4P	164	
0.52	3166	2695		0.81	EKA 87ER57	4P	149	
0.57	2889	2459		0.89	EKF 87ER57	4P	169	
0.68	2403	2045	★	1.07	EKAF87ER57	4P	164	
0.74	2221	1890	★	1.16				
0.83	1957	1666	★	1.31				
0.98	1664	1417	★	1.54				
1.1	1434	1221		1.79				
1.3	1288	1096		2.0				
1.4	1131	963		2.3				
0.94	1738	1479		0.85	EK 77ER37	4P	99	
1.0	1628	1385		0.90	EKA 77ER37	4P	91	
1.1	1444	1229		1.02	EKF 77ER37	4P	107	
1.3	1233	1050		1.19	EKAF77ER37	4P	99	
1.5	1085	923		1.36				
1.8	931	792		1.58				
2.0	830	707		1.77				
2.2	745	634		1.98				
2.6	635	541		2.3				
2.8	584	497		2.5				
3.2	518	441		2.8				
3.8	429	365		3.4				
1.5	1070	910		0.80	EK 67ER37	4P	66	
1.7	941	801		0.83	EKA 67ER37	4P	63	
2.0	804	684		0.97	EKF 67ER37	4P	71	
2.3	719	612		1.08	EKAF67ER37	4P	69	

EK SERIES REDUCTOR

Power (kW)	Output speed (r/min)	Output torque (N · m)	Ratio (i)	Service factor (fB)	Type	Motor pole	Weight (kg)
0.18	2.5	646	550	1.21	EK 67ER37	4P	66
	2.9	557	474	1.40	EKA 67ER37	4P	63
	3.4	474	403	1.64	EKF 67ER37	4P	71
	3.9	423	360	1.84	EKAF67ER37	4P	69
	4.3	379	323	2.1			
	5.0	329	280	2.4			
	2.3	716	609	0.80	EK 57ER37	4P	58
	2.6	630	537	0.90	EKA 57ER37	4P	56
	2.9	558	475	1.02	EKF 57ER37	4P	63
	3.4	487	415	1.17	EKAF57ER37	4P	61
3.8	431	367	1.32				
4.4	373	318	1.53				
4.9	334	285	1.70				
5.7	288	245	1.98				
6.6	249	212	2.3				
7.2	228	194	2.5				
8.4	194	165	2.9				
3.7	444	378	0.86	EK 47ER37	4P	47	
4.3	384	326	0.99	EKA 47ER37	4P	46	
4.8	341	290	1.12	EKF 47ER37	4P	49	
5.5	295	251	1.29	EKAF47ER37	4P	48	
6.2	264	225	1.44				
7.1	231	197	1.64				
8.1	203	173	1.87				
9.2	178	151	2.1				
11	151	128	2.5				
6.9	238	203	0.80	EK 37ER17	4P	33	
7.7	213	181	0.89	EKA 37ER17	4P	32	
8.7	187	159	1.02	EKF 37ER17	4P	36	
11	155	132	1.22	EKAF37ER17	4P	35	
11	146	125	1.30				
6.0	288	142.31 ★	2.8	EK 67	6P	55	
6.9	248	122.78 ★	3.3	EKA 67	6P	52	
7.9	217	107.36	3.8	EKF 67	6P	60	
				EKAF67	6P	58	
9.8	176	142.31 ★	4.7	EK 67	4P	51	
11	152	122.78 ★	5.4	EKA 67	4P	48	
13	133	107.36	6.2	EKF 67	4P	56	
				EKAF67	4P	54	
5.8	296	146.36 ★	2.0	EK 57	6P	47	
6.7	255	126.27 ★	2.3	EKA 57	6P	45	
7.7	223	110.41	2.7	EKF 57	6P	52	
8.2	210	103.67	2.9	EKAF57	6P	50	
9.2	186	92.03	3.2				
9.5	181	146.36 ★	3.3	EK 57	4P	43	
11	156	126.27 ★	3.8	EKA 57	4P	41	
13	137	110.41	4.4	EKF 57	4P	48	
13	128	103.67	4.7	EKAF57	4P	46	
15	114	92.03	5.3				
18	97	78.06	6.2				
6.4	268	132.32 ★	1.49	EK 47	6P	36	
6.8	253	125.23 ★	1.58	EKA 47	6P	35	
8.0	216	106.69 ★	1.85	EKF 47	6P	38	
9.2	187	92.27 ★	2.1	EKAF47	6P	37	
9.9	174	86.20	2.3				
11	164	132.32 ★	2.4	EK 47	4P	32	
11	155	125.23 ★	2.6	EKA 47	4P	31	
13	132	106.69 ★	3.0	EKF 47	4P	34	
15	114	92.27 ★	3.5	EKAF47	4P	33	
16	107	86.20	3.8				

EK SERIES REDUCTOR

Power (kW)	Output speed (r/min)	Output torque (N · m)	Ratio (i)	Service factor (fB)	Type	Motor pole	Weight (kg)
0.18	7.9	217	107.43 ★	0.92	EK 37	6P	29
	8.6	201	99.17 ★	1.00	EKA 37	6P	28
	10	173	85.39 ★	1.16	EKF 37	6P	32
	11	150	74.38	1.33	EKAF37	6P	31
	13	133	107.43 ★	1.51	EK 37	4P	25
	14	123	99.17 ★	1.63	EKA 37	4P	24
	16	106	85.39 ★	1.89	EKF 37	4P	28
	19	92	74.38	2.2	EKAF37	4P	27
	20	86	69.65	2.3			
	24	72	57.85	2.8			
	25	67	54.54	3.0			
	29	60	48.67	3.3			
	32	54	43.60	3.7			
	34	51	41.32	3.9			
	37	46	37.19	4.3			
	39	44	35.31	4.6			
	45	38	30.95 ★	5.2			
	48	36	28.76 ★	5.6			
	55	31	25.05	6.5			
	59	29	23.46	6.9			
	67	26	20.70	7.8			
	80	21	17.34	9.3			
	90	19	15.51	9.4			
	109	16	12.77	11			
	116	15	12.00	12			
	123	14	11.30	13			
	130	13	10.65	12			
	161	11	8.63	15			
	172	10	8.07	16			
	0.25	0.14	16052	9837 ★	0.80	EK 127ER77	4P
0.16		14077	8627	0.88	EKA 127ER77	4P	560
0.18		12594	7718	0.98	EKF 127ER77	4P	630
0.21		10589	6490	1.17	EKAF127ER77	4P	600
0.24		9474	5806	1.30			
0.28		8236	5047	1.50			
0.32		7150	4382	1.73			
0.36		6292	3856	1.96			
0.41		5469	3352	2.3			
0.23		10068	6170	0.80	EK 107ER77	4P	395
0.24		9378	5747	0.81	EKA 107ER77	4P	370
0.27		8444	5175	0.90	EKF 107ER77	4P	405
0.32		7037	4312	1.08	EKAF107ER77	4P	390
0.36		6304	3863	1.21			
0.41		5480	3358	1.39			
0.47		4819	2953	1.58			
0.53		4289	2629	1.77			
0.61		3729	2285	2.0			
0.72		3150	1930	2.4			
0.81		2808	1721	2.7			
0.89		2560	1569	3.0			
1.0		2225	1363	3.4			
0.44		5191	3181	0.80	EK 97ER57	4P	248
0.51		4475	2743	0.91	EKA 97ER57	4P	228
0.57		3993	2447	1.02	EKF 97ER57	4P	268
0.63		3581	2195	1.14	EKAF97ER57	4P	253
0.74		3073	1883	1.33			
0.86		2623	1607	1.56			
0.99		2301	1410 ★	1.78			
1.1		2063	1265 ★	1.98			
1.3	1771	1085 ★	2.3				
1.5	1564	958	2.6				
1.6	1402	859	2.9				
1.9	1214	744	3.4				
2.1	1059	649	3.9				

EK SERIES REDUCTOR

Power (kW)	Output speed (r/min)	Output torque (N · m)	Ratio (i)		Service factor (fB)	Type	Motor pole	Weight (kg)
0.25	0.68	3337	2045	★	0.80	EK 87ER57	4P	168
	0.74	3084	1890	★	0.83	EKA 87ER57	4P	153
	0.83	2718	1666	★	0.94	EKF 87ER57	4P	173
	0.98	2312	1417	★	1.11	EKAF87ER57	4P	168
	1.1	1992	1221		1.29			
	1.3	1789	1096		1.43			
	1.4	1571	963		1.63			
	1.9	1186	727		2.2			
	2.2	1043	639		2.5			
		1.3	1713	1050		0.86	EK 77ER37	4P
	1.5	1506	923		0.98	EKA 77ER37	4P	95
	1.8	1293	792		1.14	EKF 77ER37	4P	111
	2.0	1153	707		1.28	EKAF77ER37	4P	103
	2.2	1034	634		1.42			
	2.6	883	541		1.67			
	2.8	811	497		1.82			
	3.2	719	441		2.0			
	3.8	596	365		2.5			
	4.3	529	324		2.8			
	4.8	472	289		3.1			
	5.5	416	255		3.5			
	6.3	360	220		4.1			
	7.1	318	195		4.6			
	8.0	285	175		5.2			
	2.3	998	612		0.80	EK 67ER37	4P	70
	2.5	897	550		0.87	EKA 67ER37	4P	67
	2.9	774	474		1.01	EKF 67ER37	4P	75
	3.4	658	403		1.18	EKAF67ER37	4P	73
	3.9	587	360		1.33			
	4.3	526	323		1.48			
	5.0	457	280		1.71			
	5.6	409	250		1.91			
	6.5	347	213		2.2			
	3.4	677	415		0.84	EK 57ER37	4P	62
	3.8	599	367		0.95	EKA 57ER37	4P	60
	4.4	518	318		1.10	EKF 57ER37	4P	67
	4.9	464	285		1.23	EKAF57ER37	4P	65
	5.7	400	245		1.43			
	6.6	346	212		1.65			
	7.2	317	194		1.80			
	8.4	269	165		2.1			
	9.4	241	148		2.4			
	11	212	130		2.7			
	12	182	112		3.1			
	14	160	98		3.6			
	4.5	527	142.30	★	1.56	EK 67	8P	63
	5.3	455	122.80	★	1.80	EKA 67	8P	60
	6.0	398	107.40		2.1	EKF 67	8P	68
	6.4	373	100.80		2.2	EKAF67	8P	66
	6.0	400	142.31	★	2.1	EK 67	6P	57
	6.9	345	122.78	★	2.4	EKA 67	6P	54
	7.9	302	107.36		2.7	EKF 67	6P	62
	8.4	283	100.80		2.9	EKAF67	6P	60
	9.8	244	142.31	★	3.4	EK 67	4P	55
	11	211	122.78	★	3.9	EKA 67	4P	52
	13	184	107.36		4.4	EKF 67	4P	60
	14	173	100.80		4.7	EKAF67	4P	58
	5.8	411	146.36	★	1.46	EK 57	6P	49
	6.7	355	126.27	★	1.69	EKA 57	6P	47
	7.7	310	110.41		1.93	EKF 57	6P	54
	8.2	291	103.67		2.1	EKAF57	6P	52
	9.2	258	92.03		2.3			
	11	219	78.06		2.7			

EK SERIES REDUCTOR

Power (kW)	Output speed (r/min)	Output torque (N · m)	Ratio (i)	Service factor (fB)	Type	Motor pole	Weight (kg)	
0.25	9.5	251	146.36 ★	2.4	EK 57	4P	47	
	11	217	126.27 ★	2.8	EKA 57	4P	45	
	13	190	110.41	3.2	EKF 57	4P	52	
	13	178	103.67		3.4	EKAF57	4P	50
	15	158	92.03		3.8			
	18	134	78.06		4.5			
	6.4	372	132.32 ★	1.08	EK 47	6P	38	
	6.8	352	125.23 ★	1.14	EKA 47	6P	37	
	8.0	300	106.69 ★	1.33	EKF 47	6P	40	
	9.2	259	92.27 ★	1.54	EKAF47	6P	39	
	9.9	242	86.20		1.65			
	11	227	132.32 ★	1.76	EK 47	4P	36	
	11	215	125.23 ★	1.86	EKA 47	4P	35	
	13	183	106.69 ★	2.2	EKF 47	4P	38	
	15	158	92.27 ★	2.5	EKAF47	4P	37	
	16	148	86.20		2.7			
	13	185	107.43 ★	1.08	EK 37	4P	29	
	14	170	99.17 ★	1.17	EKA 37	4P	28	
	16	147	85.39 ★	1.36	EKF 37	4P	32	
	19	128	74.38	1.57	EKAF37	4P	31	
	20	120	69.65	1.67				
	24	99	57.85	2.0				
	25	94	54.54	2.1				
	29	84	48.67	2.4				
	32	75	43.60	2.7				
	34	71	41.32	2.8				
	37	64	37.19	3.1				
	39	61	35.31 ★	3.3				
	45	53	30.95 ★	3.8				
	48	49	28.76	4.0				
	55	43	25.05	4.6				
	59	40	23.46	5.0				
	67	36	20.70	5.6				
	80	30	17.34	6.7				
	90	27	15.51	7.5				
	109	22	12.77	7.3				
116	21	12.00	7.8					
123	19	11.30	8.2					
130	18	10.65	8.7					
161	15	8.63	11					
172	14	8.07	12					
209	11	6.64	12					
223	11	6.23	12					
0.37	0.18	18639	7718	0.80	EK 127ER77	4P	591	
	0.21	15672	6490	0.80	EKA 127ER77	4P	561	
	0.24	14021	5806	0.88	EKF 127ER77	4P	631	
	0.28	12189	5047	1.01	EKAF127ER77	4P	601	
	0.32	10582	4382	1.17				
	0.36	9312	3856	1.33				
	0.41	8095	3352	1.53				
	0.47	7090	2936	1.74				
	0.54	6211	2572	1.99				
	0.63	5333	2208	2.3				
	0.73	4630	1917	2.7				
	0.80	4220	1747	2.9				
	0.91	3696	1531	3.3				
	0.36	9330	3863	0.81	EK 107ER77	4P	396	
	0.41	8111	3358	0.94	EKA 107ER77	4P	371	
	0.47	7132	2953	1.07	EKF 107ER77	4P	406	
	0.53	6348	2629	1.20	EKAF107ER77	4P	391	
	0.61	5518	2285	1.38				
	0.72	4661	1930	1.63				
	0.81	4156	1721	1.83				
	0.89	3789	1569	2.0				
	1.0	3293	1363	2.3				
	1.2	2830	1172	2.7				

EK SERIES REDUCTOR

Power (kW)	Output speed (r/min)	Output torque (N · m)	Ratio (i)		Service factor (fB)	Type	Motor pole	Weight (kg)
0.37	0.63	5300	2195		0.80	EK 97ER57	4P	249
	0.74	4548	1883		0.90	EKA 97ER57	4P	229
	0.86	3882	1607		1.05	EKF 97ER57	4P	269
	0.99	3406	1410	★	1.20	EKAF97ER57	4P	254
	1.1	3054	1265	★	1.34			
	1.3	2620	1085	★	1.56			
	1.5	2315	958		1.76			
	1.6	2076	859		1.97			
	1.9	1796	744		2.3			
	2.1	1567	649		2.6			
	2.4	1379	571		3.0			
	1.0	3421	1417	★	0.80	EK 87ER57	4P	169
	1.1	2948	1221		0.87	EKA 87ER57	4P	154
	1.3	2647	1096		0.97	EKF 87ER57	4P	174
	1.4	2325	963		1.10	EKAF87ER57	4P	169
	1.9	1756	727		1.46			
	2.2	1544	639		1.66			
	2.5	1362	564		1.88			
	3.0	1134	470		2.3			
	3.2	1046	433		2.5			
	3.8	894	370		2.9			
	1.8	1913	792		0.80	EK 77ER37	4P	104
	2.0	1707	707		0.86	EKA 77ER37	4P	96
	2.2	1530	634		0.96	EKF 77ER37	4P	112
	2.6	1306	541		1.13	EKAF77ER37	4P	104
	2.8	1200	497		1.23			
	3.2	1064	441		1.38			
	3.8	882	365		1.67			
4.3	783	324		1.88				
4.8	698	289		2.1				
5.5	615	255		2.4				
6.3	532	220		2.8				
7.1	471	195		3.1				
8.0	422	175		3.5				
9.2	365	151		4.0				
3.4	974	403		0.80	EK 67ER37	4P	71	
3.9	869	360		0.90	EKA 67ER37	4P	68	
4.3	779	323		1.00	EKF 67ER37	4P	76	
5.0	676	280		1.15	EKAF67ER37	4P	74	
5.6	605	250		1.29				
6.5	514	213		1.52				
7.3	462	191		1.69				
8.4	399	165		1.95				
9.8	342	141		2.3				
11	294	122		2.7				
4.9	687	285		0.83	EK 57ER37	4P	63	
5.7	592	245		0.96	EKA 57ER37	4P	61	
6.6	512	212		1.11	EKF 57ER37	4P	68	
7.2	469	194		1.22	EKAF57ER37	4P	66	
8.4	399	165		1.43				
9.4	357	148		1.60				
11	314	130		1.81				
12	270	112		2.1				
14	236	98		2.4				
4.9	725	137.42	★	2.1	EK 77	8P	99	
5.2	684	129.64	★	2.3	EKA 77	8P	91	
5.8	612	116.11		2.5	EKF 77	8P	107	
7.0	501	95.07		3.1	EKAF77	8P	99	
6.4	549	137.42	★	2.8	EK 77	6P	93	
6.8	518	129.64	★	3.0	EKA 77	6P	85	
7.6	464	116.11		3.3	EKF 77	6P	101	
9.3	380	95.07		4.1	EKAF77	6P	93	
7.2	488	191.87	★	3.2	EK 77	4P	89	
7.8	453	178.26	★	3.4	EKA 77	4P	81	
8.9	395	155.57	★	3.9	EKF 77	4P	97	
					EKAF77	4P	89	

EK SERIES REDUCTOR

Power (kW)	Output speed (r/min)	Output torque (N · m)	Ratio (i)	Service factor (fB)	Type	Motor pole	Weight (kg)
0.37	6.2	566	107.36 ★	1.45	EK 67	8P	66
	6.6	532	100.80 ★	1.54	EKA 67	8P	63
	7.7	459	86.97 ★	1.79	EKF 67	8P	71
					EKAF67	8P	69
	7.2	490	122.78 ★	1.67	EK 67	6P	60
	8.2	429	107.36 ★	1.87	EKA 67	6P	57
	8.8	402	100.80 ★	1.99	EKF 67	6P	65
	10	347	86.97	2.3	EKAF67	6P	63
	9.8	362	142.31 ★	2.3	EK 67	4P	56
	11	312	122.78 ★	2.6	EKA 67	4P	53
	13	273	107.36 ★	3.0	EKF 67	4P	61
	14	256	100.80	3.2	EKAF67	4P	59
	16	221	86.97	3.7			
	18	193	75.90	4.2			
	7.0	504	126.27 ★	1.19	EK 57	6P	52
	8.0	441	110.41 ★	1.36	EKA 57	6P	50
	8.5	414	103.67 ★	1.45	EKF 57	6P	57
	9.6	367	92.03	1.63	EKAF57	6P	55
	11	312	78.06	1.93			
	13	281	70.47	2.1			
	9.5	372	146.36 ★	1.61	EK 57	4P	48
	11	321	126.27 ★	1.87	EKA 57	4P	46
	13	281	110.41	2.1	EKF 57	4P	53
	13	264	103.67	2.3	EKAF57	4P	51
	15	234	92.03	2.6			
	18	198	78.06	3.0			
	20	179	70.47	3.3			
	8.3	426	106.69 ★	0.94	EK 47	6P	41
	9.6	368	92.27 ★	1.09	EKA 47	6P	40
	10	344	86.20 ★	1.16	EKF 47	6P	43
	12	303	75.80 ★	1.32	EKAF47	6P	42
	11	336	132.32 ★	1.19	EK 47	4P	37
	11	318	125.23 ★	1.26	EKA 47	4P	36
	13	271	106.69 ★	1.47	EKF 47	4P	39
	15	235	92.27 ★	1.71	EKAF47	4P	38
	16	219	86.20	1.83			
	18	193	75.80	2.1			
	19	181	71.30	2.2			
	22	161	63.44	2.5			
	14	252	99.17 ★	0.80	EK 37	4P	30
	16	217	85.39 ★	0.92	EKA 37	4P	29
	19	189	74.38	1.06	EKF 37	4P	33
	20	177	69.65	1.13	EKAF37	4P	32
	24	147	57.85	1.36			
	25	139	54.54	1.44			
	29	124	48.67	1.62			
	32	111	43.60	1.80			
	34	105	41.32	1.90			
	37	95	37.19	2.1			
	39	90	35.31 ★	2.2			
	45	79	30.95 ★	2.5			
	48	73	28.76	2.7			
	55	64	25.05	3.1			
	59	60	23.46	3.2			
	67	53	20.70	3.6			
	80	44	17.34	4.3			
	90	39	15.51	4.8			
	109	32	12.77	5.9			
	116	31	12.00	5.9			
	123	29	11.30	6.3			
	130	27	10.65	5.9			
	161	22	8.63	7.3			

EK SERIES REDUCTOR

Power (kW)	Output speed (r/min)	Output torque (N · m)	Ratio (i)	Service factor (fB)	Type	Motor pole	Weight (kg)
0.37	172	21	8.07	7.8	EK 37	4P	30
	209	17	6.64	9.5	EKA 37	4P	29
	223	16	6.23	10	EKF 37	4P	33
	253	14	5.49	11	EKAF37	4P	32
0.55	0.09	55986	15596	0.85	EK 187ER97	4P	2255
	0.10	52475	14618	0.91	EKA 187ER97	4P	2195
	0.11	46457	12941	1.02			
	0.12	40738	11348	1.17			
	0.14	36060	10045	1.32			
	0.15	34027	9479	1.40			
	0.17	29126	8114	1.63			
	0.19	26709	7440	1.78			
	0.13	39377	10969	0.80	EK 167ER97	4P	1535
	0.14	36908	10281	0.82	EKA 167ER97	4P	1495
	0.16	31339	8730	0.97			
	0.21	23932	6667	1.27			
	0.26	19047	5306	1.60			
	0.29	17483	4870	1.74			
	0.34	14709	4097	2.1			
	0.20	24678	6874	0.80	EK 157ER97	4P	1035
	0.23	21527	5997	0.80	EKA 157ER97	4P	995
	0.28	17961	5003	0.95	EKF 157ER97	4P	1115
	0.31	16235	4522	1.05	EKAF157ER97	4P	1055
0.35	14312	3987	1.19				
0.39	12786	3562	1.34				
0.46	10888	3033	1.57				
0.32	15730	4382	0.80	EK 127ER77	4P	595	
0.36	13843	3856	0.89	EKA 127ER77	4P	565	
0.41	12033	3352	1.03	EKF 127ER77	4P	635	
0.47	10539	2936	1.17	EKAF127ER77	4P	605	
0.54	9233	2572	1.34				
0.63	7928	2208	1.56				
0.73	6882	1917	1.79				
0.80	6272	1747	1.97				
0.91	5495	1531	2.2				
1.0	4840	1348	2.6				
1.1	4345	1210	2.8				
1.3	3811	1062	3.2				
0.47	10602	2953	0.80	EK 107ER77	4P	400	
0.53	9437	2629	0.81	EKA 107ER77	4P	375	
0.61	8203	2285	0.93	EKF 107ER77	4P	410	
0.72	6929	1930	1.10	EKAF107ER77	4P	395	
0.81	6177	1721	1.23				
0.89	5632	1569	1.35				
1.0	4894	1363	1.55				
1.2	4207	1172	1.81				
1.3	3719	1036	2.0				
1.5	3252	906	2.3				
1.8	2791	777	2.7				
2.0	2440	680	3.1				
2.3	2175	606	3.5				
0.99	5063	1410	★	0.81	EK 97ER57	4P	253
1.1	4540	1265	★	0.90	EKA 97ER57	4P	233
1.3	3895	1085	★	1.05	EKF 97ER57	4P	273
1.5	3441	958		1.19	EKAF97ER57	4P	258
1.6	3085	859		1.32			
1.9	2670	744		1.53			
2.1	2330	649		1.75			
2.4	2048	571		1.99			
2.8	1807	503		2.3			
3.2	1550	432		2.6			
3.6	1375	383		3.0			
4.1	1227	342		3.3			
4.6	1086	303		3.8			

EK SERIES REDUCTOR

Power (kW)	Output speed (r/min)	Output torque (N · m)	Ratio (i)	Service factor (fB)	Type	Motor pole	Weight (kg)
0.55	1.4	3456	963	0.80	EK 87ER57	4P	173
	1.9	2610	727	0.98	EKA 87ER57	4P	158
	2.2	2294	639	1.12	EKF 87ER57	4P	178
	2.5	2024	564	1.27	EKAF87ER57	4P	173
	3.0	1686	470	1.52			
	3.2	1555	433	1.65			
	3.8	1330	370	1.93			
	4.2	1176	327	2.2			
	4.7	1070	298	2.4			
	5.6	892	248	2.9			
5.9	847	236	3.0				
7.1	705	196	3.6				
	2.6	1942	541	0.80	EK 77ER37	4P	108
	2.8	1784	497	0.83	EKA 77ER37	4P	100
	3.2	1582	441	0.93	EKF 77ER77	4P	116
	3.8	1312	365	1.12	EKAF77ER37	4P	108
	4.3	1163	324	1.27			
	4.8	1038	289	1.42			
	5.5	914	255	1.61			
	6.3	791	220	1.86			
	7.1	700	195	2.1			
	8.0	627	175	2.3			
	9.2	543	151	2.7			
	5.0	1005	280	0.80	EK 67ER37	4P	75
	5.6	899	250	0.87	EKA 67ER37	4P	72
	6.5	764	213	1.02	EKF 67ER37	4P	80
	7.3	686	191	1.14	EKAF67ER37	4P	78
	8.4	593	165	1.31			
	9.8	508	141	1.53			
	11	436	122	1.79			
	4.0	1328	169.35 ★	2.0	EK 87	8P	154
	4.2	1253	159.84 ★	2.2	EKA 87	8P	139
	4.4	1185	151.20 ★	2.3	EKF 87	8P	159
	4.6	1143	145.74 ★	2.4	EKAF87	8P	154
	4.6	1137	191.52 ★	2.4	EK 87	6P	147
	5.2	1005	169.35 ★	2.7	EKA 87	6P	132
	5.5	949	159.84	2.8	EKF 87	6P	152
	5.9	897	151.20	3.0	EKAF87	6P	147
	6.1	865	145.74 ★	3.1			
	4.9	1077	137.42 ★	1.44	EK 77	8P	102
	5.2	1016	129.64 ★	1.53	EKA 77	8P	94
	5.8	910	116.11 ★	1.70	EKF 77	8P	110
	7.0	745	95.07 ★	2.1	EKAF77	8P	102
	5.7	923	155.57 ★	1.68	EK 77	6P	95
	6.4	816	137.42 ★	1.90	EKA 77	6P	87
	6.8	769	129.64 ★	2.0	EKF 77	6P	103
	7.6	689	116.11	2.2	EKAF77	6P	95
	8.9	588	155.57 ★	2.6	EK 77	4P	93
	10	519	137.42 ★	2.9	EKA 77	4P	85
	11	490	129.64 ★	3.1	EKF 77	4P	101
	12	439	116.11	3.4	EKAF77	4P	93
	15	359	95.07	4.2			
	7.2	729	122.78 ★	1.13	EK 67	6P	62
	8.2	637	107.36 ★	1.29	EKA 67	6P	59
	8.8	598	100.80 ★	1.37	EKF 67	6P	67
	10	516	86.97 ★	1.59	EKAF67	6P	65
	12	450	75.90 ★	1.82			
	11	464	122.78 ★	1.77	EK 67	4P	60
	13	406	107.36 ★	2.0	EKA 67	4P	57
	14	381	100.80 ★	2.2	EKF 67	4P	65
	16	329	86.97 ★	2.5	EKAF67	4P	63
	18	287	75.90 ★	2.9			

EK SERIES REDUCTOR

Power (kW)	Output speed (r/min)	Output torque (N · m)	Ratio (i)	Service factor (fB)	Type	Motor pole	Weight (kg)
0.55	8.0	655	110.41 ★	0.92	EK 57	6P	54
	8.5	615	103.67	0.98	EKA 57	6P	52
	9.6	546	92.03	1.10	EKF 57	6P	59
	11	463	78.06	1.30	EKAF57	6P	57
	13	418	70.47	1.43			
	15	362	60.98	1.66			
	16	338	56.92	1.78			
	11	477	126.27 ★	1.26	EK 57	4P	52
	13	417	110.41 ★	1.44	EKA 57	4P	50
	13	392	103.67	1.53	EKF 57	4P	57
	15	348	92.03	1.73	EKAF57	4P	55
	18	295	78.06	2.0			
	20	266	70.47	2.3			
	23	230	60.98	2.6			
	24	215	56.92	2.8			
	13	403	106.69 ★	0.99	EK 47	4P	41
	15	349	92.27 ★	1.15	EKA 47	4P	40
	16	326	86.20 ★	1.23	EKF 47	4P	43
	18	286	75.80 ★	1.40	EKAF47	4P	42
	19	269	71.30	1.48			
	22	240	63.44	1.67			
	25	212	56.02	1.89			
	28	186	49.15	2.2			
	30	174	46.14	2.3			
	24	219	57.85	0.91	EK 37	4P	34
	25	206	54.54	0.97	EKA 37	4P	33
	29	184	48.67	1.09	EKF 37	4P	37
	32	165	43.60	1.21	EKAF37	4P	36
	34	156	41.32	1.28			
	37	141	37.19	1.42			
	39	133	35.31	1.50			
	45	117	30.95	1.71			
	48	109	28.76	1.84			
	55	95	25.05	1.90			
	59	89	23.46	2.0			
	67	78	20.70	2.3			
	80	66	17.34	2.7			
	90	59	15.51	2.7			
	109	48	12.77	3.3			
	116	45	12.00	3.5			
	123	43	11.30	3.7			
	130	40	10.65	4.0			
	161	33	8.63	4.9			
	172	30	8.07	4.6			
	209	25	6.64	5.6			
	223	24	6.23	6.0			
	253	21	5.49	6.8			
0.75	0.11	63350	12941	0.80	EK 187ER97	4P	2256
	0.12	55552	11348	0.86	EKA 187ER97	4P	2196
	0.14	49173	10045	0.97			
	0.15	46400	9479	1.02			
	0.17	39718	8114	1.20			
	0.19	36422	7440	1.30			
	0.20	34143	6975	1.39			
	0.23	29226	5970	1.63			
	0.16	42735	8730	0.80	EK 167ER97	4P	1536
	0.21	32635	6667	0.93	EKA 167ER97	4P	1496
	0.26	25973	5306	1.17			
	0.29	23840	4870	1.28			
	0.34	20057	4097	1.52			
	0.40	16917	3456	1.80			
	0.35	19516	3987	0.88	EK 157ER97	4P	1036
	0.39	17435	3562	0.98	EKA 157ER97	4P	996
	0.46	14847	3033	1.15	EKF 157ER97	4P	1116
	0.54	12691	2593	1.35	EKAF157ER97	4P	1056

EK SERIES REDUCTOR

Power (kW)	Output speed (r/min)	Output torque (N · m)	Ratio (i)	Service factor (fB)	Type	Motor pole	Weight (kg)	
0.75	0.60	11431	2335	1.50	EK 157ER97	4P	1036	
	0.68	10042	2051	1.70	EKA 157ER97	4P	996	
	0.79	8639	1765	1.98	EKF 157ER97	4P	1116	
	0.85	8052	1645	2.1	EKAF157ER97	4P	1056	
	1.1	6409	1309	2.7				
	0.41	16408	3352	0.80	EK 127ER77	4P	596	
	0.47	14371	2936	0.86	EKA 127ER77	4P	566	
	0.54	12591	2572	0.98	EKF 127ER77	4P	636	
	0.63	10811	2208	1.14	EKAF127ER77	4P	606	
	0.73	9385	1917	1.32				
	0.80	8553	1747	1.44				
	0.91	7493	1531	1.65				
	1.0	6600	1348	1.87				
	1.1	5925	1210	2.1				
	1.3	5197	1062	2.4				
	1.5	4553	930	2.7				
	0.81	8424	1721	0.90	EK 107ER77	4P	401	
	0.89	7680	1569	0.99	EKA 107ER77	4P	376	
	1.0	6674	1363	1.14	EKF 107ER77	4P	411	
	1.2	5737	1172	1.32	EKAF107ER77	4P	396	
	1.3	5071	1036	1.50				
	1.5	4434	906	1.71				
	1.8	3805	777	2.0				
	2.0	3327	680	2.3				
	2.3	2966	606	2.6				
	1.3	5312	1085	★	0.80	EK 97ER57	4P	254
	1.5	4692	958		0.87	EKA 97ER57	4P	234
	1.6	4207	859		0.97	EKF 97ER57	4P	274
	1.9	3641	744		1.12	EKAF97ER57	4P	259
	2.1	3177	649		1.29			
	2.4	2793	571		1.46			
	2.8	2464	503		1.66			
	3.2	2114	432		1.93			
	3.6	1875	383		2.2			
	4.1	1673	342		2.4			
	4.6	1481	303		2.8			
	5.4	1255	256		3.3			
	6.2	1106	226		3.7			
	7.0	971	198		4.2			
	1.9	3559	727		0.80	EK 87ER57	4P	174
	2.2	3129	639		0.82	EKA 87ER57	4P	159
	2.5	2761	564		0.93	EKF 87ER57	4P	179
3.0	2299	470		1.12	EKAF87ER57	4P	174	
3.2	2120	433		1.21				
3.8	1814	370		1.41				
4.2	1603	327		1.60				
4.7	1459	298		1.76				
5.6	1216	248		2.1				
5.9	1156	236		2.2				
7.1	961	196		2.7				
3.8	1788	365		0.82	EK 77ER37	4P	109	
4.3	1587	324		0.93	EKA 77ER37	4P	101	
4.8	1416	289		1.04	EKF 77ER37	4P	117	
5.5	1247	255		1.18	EKAF77ER37	4P	109	
6.3	1079	220		1.36				
7.1	954	195		1.54				
8.0	856	175		1.72				
9.2	740	151		1.99				
3.8	1882	178.72	★	2.3	EK 97	8P	241	
4.6	1557	147.79	★	2.8	EKA 97	8P	221	
4.9	1447	137.41	★	3.0	EKF 97	8P	261	
					EKAF97	8P	246	

EK SERIES REDUCTOR

Power (kW)	Output speed (r/min)	Output torque (N · m)	Ratio (i)	Service factor (fB)	Type	Motor pole	Weight (kg)
0.75	4.0	1784	169.35 ★	1.51	EK 87	8P	161
	4.3	1684	159.84 ★	1.60	EKA 87	8P	146
	4.5	1593	151.20 ★	1.70	EKF 87	8P	166
	4.7	1535	145.74 ★	1.76	EKAF87	8P	161
	5.4	1333	169.35 ★	2.0	EK 87	6P	151
	5.7	1258	159.84 ★	2.1	EKA 87	6P	136
	6.0	1190	151.20 ★	2.3	EKF 87	6P	156
	6.2	1147	145.74 ★	2.4	EKAF87	6P	151
	7.2	998	126.79 ★	2.7			
	7.3	987	191.52 ★	2.7	EK 87	4P	146
	8.2	873	169.35 ★	3.1	EKA 87	4P	131
	8.7	824	159.84	3.3	EKF 87	4P	151
	9.2	779	151.20	3.5	EKAF87	4P	146
	9.5	751	145.74 ★	3.6			
	6.6	1082	137.42 ★	1.43	EK 77	6P	99
	7.0	1020	129.64 ★	1.52	EKA 77	6P	91
	7.8	914	116.11 ★	1.70	EKF 77	6P	107
	9.6	748	95.07	2.1	EKAF77	6P	99
	8.9	802	155.57 ★	1.93	EK 77	4P	94
	10.11	708	137.42 ★	2.2	EKA 77	4P	86
	10.72	668	129.64 ★	2.3	EKF 77	4P	102
	11.97	598	116.11	2.6	EKAF77	4P	94
	14.62	490	95.07	3.2			
	11	633	122.78 ★	1.30	EK 67	4P	61
	13	553	107.36 ★	1.48	EKA 67	4P	58
	14	519	100.80 ★	1.58	EKF 67	4P	66
	16	448	86.97 ★	1.83	EKAF67	4P	64
	18	391	75.90 ★	2.1			
	20	367	71.16	2.2			
	23	306	59.30	2.7			
	25	288	55.98	2.8			
	11	651	126.27 ★	0.92	EK 57	4P	53
	13	569	110.41 ★	1.05	EKA 57	4P	51
	13	534	103.67 ★	1.12	EKF 57	4P	58
	15	474	92.03	1.27	EKAF57	4P	56
	18	402	78.06	1.49			
	20	365	70.74	1.65			
	23	314	60.98	1.91			
	24	293	56.92	2.0			
	28	257	49.85	2.3			
	32	226	43.91	2.4			
	18	391	75.80 ★	1.02	EK 47	4P	42
	19	367	71.30	1.09	EKA 47	4P	41
	22	327	63.44	1.22	EKF 47	4P	44
	25	289	56.02	1.39	EKAF47	4P	43
	28	253	49.15	1.58			
	30	238	46.14	1.68			
	34	210	40.81	1.90			
	38	187	36.25	2.1			
	45	158	30.71 ★	2.5			
	32	225	43.60	0.89	EK 37	4P	35
	34	213	41.32	0.94	EKA 37	4P	34
	37	192	37.19	1.04	EKF 37	4P	38
	39	182	35.31	1.10	EKAF37	4P	37
	45	159	30.95	1.25			
	48	148	28.76 ★	1.35			
	55	129	25.05 ★	1.55			
	59	121	23.46 ★	1.49			
	67	107	20.70	1.69			
	80	89	17.34	1.99			
	90	80	15.51	2.1			
	109	66	12.77	2.4			
	116	62	12.00	2.6			
	123	58	11.30	2.7			

EK SERIES REDUCTOR

Power (kW)	Output speed (r/min)	Output torque (N · m)	Ratio (i)	Service factor (fB)	Type	Motor pole	Weight (kg)
0.75	130	55	10.65	2.9	EK 37	4P	35
	161	44	8.63	3.1	EKA 37	4P	34
	172	42	8.07	3.4	EKF 37	4P	38
	209	34	6.64	4.1	EKAF37	4P	37
	223	32	6.23	4.4			
	253	28	5.49	5.0			
1.1	0.15	67568	9479	0.80	EK 187ER97	4P	2261
	0.17	57836	8114	0.82	EKA 187ER97	4P	2201
	0.19	53037	7440	0.90			
	0.20	49719	6975	0.96			
	0.23	42558	5970	1.12			
	0.26	37669	5284	1.26			
	0.30	33598	4713	1.41			
	0.31	31809	4462	1.49			
	0.26	37822	5306	0.80	EK 167ER97	4P	1541
	0.29	34716	4870	0.88	EKA 167ER97	4P	1501
	0.34	29207	4097	1.04			
	0.41	24634	3456	1.23			
	0.50	20133	2824	1.51			
	0.61	16337	2292	1.86			
	0.71	14150	1985	2.1			
	0.82	12122	1700	2.5			
	1.0	9592	1346	3.2			
	1.1	9025	1266	3.4			
	0.39	25389	3562	0.80	EK 157ER97	4P	1041
	0.46	21620	3033	0.80	EKA 157ER97	4P	1001
	0.54	18481	2593	0.93	EKF 157ER97	4P	1121
	0.60	16645	2335	1.03	EKAF157ER97	4P	1061
	0.68	14624	2051	1.17			
	0.79	12581	1765	1.36			
	0.85	11725	1645	1.46			
	1.1	9333	1309	1.83			
	1.1	8781	1232	1.95			
	1.3	7818	1097	2.2			
	1.5	6643	932	2.6			
	1.6	6130	860	2.8			
	1.8	5457	766	3.1			
	2.2	4607	646	3.7			
	2.4	4132	580	4.1			
0.73	13667	1917	0.90	EK 127ER77	4P	601	
0.80	12455	1747	0.99	EKA 127ER77	4P	571	
0.91	10911	1531	1.13	EKF 127ER77	4P	641	
1.0	9611	1348	1.29	EKAF127ER77	4P	611	
1.2	8628	1210	1.43				
1.3	7568	1062	1.63				
1.5	6630	930	1.86				
1.8	5634	790	2.2				
2.0	4980	699	2.5				
2.3	4343	609	2.8				
2.6	3804	534	3.2				
3.0	3303	463	3.7				
1.2	8354	1172	0.91	EK 107ER77	4P	406	
1.4	7385	1036	1.03	EKA 107ER77	4P	381	
1.5	6457	906	1.18	EKF 107ER77	4P	416	
1.8	5541	777	1.37	EKAF107ER77	4P	401	
2.1	4845	680	1.57				
2.3	4319	606	1.76				
2.7	3705	520	2.1				
3.0	3314	465	2.3				
3.5	2890	405	2.6				
3.9	2576	361	2.9				
4.4	2257	317	3.4				
1.9	5302	744	0.80	EK 97ER57	4P	259	
2.2	4626	649	0.88	EKA 97ER57	4P	239	
2.5	4067	571	1.00	EKF 97ER57	4P	279	
2.8	3588	503	1.14	EKAF97ER57	4P	264	

EK SERIES REDUCTOR

Power (kW)	Output speed (r/min)	Output torque (N · m)	Ratio (i)	Service factor (fB)	Type	Motor pole	Weight (kg)
1.1	3.2	3079	432	1.33	EK 97ER57	4P	259
	3.7	2730	383	1.50	EKA 97ER57	4P	239
	4.1	2436	342	1.68	EKF 97ER57	4P	279
	4.6	2157	303	1.89	EKAF97ER57	4P	264
	5.5	1827	256	2.2			
	6.2	1611	226	2.5			
	7.1	1415	198	2.9			
	3.0	3348	470	0.80	EK 87ER57	4P	179
	3.2	3087	433	0.83	EKA 87ER57	4P	164
	3.8	2641	370	0.97	EKF 87ER57	4P	184
	4.3	2334	327	1.10	EKAF87ER57	4P	179
	4.7	2125	298	1.21			
	5.6	1771	248	1.45			
	5.9	1683	236	1.52			
	7.1	1399	196	1.83			
	3.8	2761	178.72 ★	1.56	EK 97	8P	244
	4.6	2283	147.79 ★	1.88	EKA 97	8P	224
	4.9	2123	137.41 ★	2.0	EKF 97	8P	264
	5.7	1855	120.11 ★	2.3	EKAF97	8P	249
5.1	2063	178.72 ★	2.1	EK 97	6P	235	
6.2	1706	147.79 ★	2.5	EKA 97	6P	215	
6.6	1586	137.41 ★	2.7	EKF 97	6P	255	
7.6	1387	120.11 ★	3.1	EKAF97	6P	240	
7.8	1341	178.72 ★	3.2	EK 97	4P	231	
9.5	1109	147.79 ★	3.9	EKA 97	4P	211	
10	1031	137.41 ★	4.2	EKF 97	4P	251	
				EKAF97	4P	236	
5.4	1955	169.35 ★	1.38	EK 87	6P	155	
5.7	1845	159.84 ★	1.46	EKA 87	6P	140	
6.0	1745	151.20 ★	1.55	EKF 87	6P	160	
6.2	1682	145.74 ★	1.60	EKAF87	6P	155	
7.2	1464	126.79 ★	1.84				
7.7	1372	118.81 ★	1.97				
8.3	1271	169.35 ★	2.1	EK 87	4P	151	
8.8	1199	159.84 ★	2.3	EKA 87	4P	136	
9.3	1135	151.20 ★	2.4	EKF 87	4P	156	
9.6	1094	145.74 ★	2.5	EKAF87	4P	151	
11	951	126.79 ★	2.8				
12	892	118.81 ★	3.0				
6.6	1586	137.42 ★	0.98	EK 77	6P	103	
7.0	1497	129.64 ★	1.04	EKA 77	6P	95	
7.8	1340	116.11 ★	1.16	EKF 77	6P	111	
				EKAF77	6P	103	
10	1031	137.42 ★	1.50	EK 77	4P	99	
11	973	129.64 ★	1.59	EKA 77	4P	91	
12	871	116.11 ★	1.78	EKF 77	4P	107	
15	713	95.07 ★	2.1	EKAF77	4P	99	
16	666	88.70 ★	2.3				
18	584	77.79 ★	2.6				
19	548	73.07 ★	2.7				
13	806	107.36 ★	1.02	EK 67	4P	66	
14	756	100.80 ★	1.08	EKA 67	4P	63	
16	653	86.97 ★	1.26	EKF 67	4P	71	
18	570	75.90 ★	1.44	EKAF67	4P	69	
20	534	71.16 ★	1.54				
24	445	59.30	1.84				
25	420	55.98	1.95				
28	376	50.07	2.2				
31	338	44.98	2.4				
36	289	38.54	2.8				

EK SERIES REDUCTOR

Power (kW)	Output speed (r/min)	Output torque (N · m)	Ratio (i)		Service factor (fB)	Type	Motor pole	Weight (kg)
1.1	15	691	92.03	★	0.87	EK 57	4P	58
	18	586	78.06		1.02	EKA 57	4P	56
	20	529	70.47		1.13	EKF 57	4P	63
	23	458	60.98		1.31	EKAF57	4P	61
	25	427	56.92		1.40			
	28	374	49.85		1.60			
	32	329	43.91		1.82			
	36	292	38.85		2.1			
	39	271	36.12		2.2			
	46	230	30.64		2.6			
	51	208	27.66		2.9			
	58	180	23.94		3.3			
	63	168	22.34		3.6			
	72	147	19.56		3.9			
	81	129	17.23		4.3			
	92	114	15.25		4.5			
	103	102	13.54		4.9			
	114	92	12.72		4.5			
	126	84	11.14		5.0			
	143	74	9.81		5.5			
161	65	8.68		6.0				
182	58	7.71		6.3				
	25	420	56.02	★	0.95	EK 47	4P	47
	28	369	49.15		1.08	EKA 47	4P	46
	30	346	46.14		1.16	EKF 47	4P	49
	34	306	40.81		1.31	EKAF47	4P	48
	39	272	36.25		1.47			
	46	230	30.71	★	1.65			
	49	214	28.47	★	1.78			
	53	199	26.47	★	1.91			
	57	185	24.68	★	2.1			
	65	162	21.57	★	2.3			
	74	142	18.98		2.7			
	45	232	30.95	★	0.86	EK 37	4P	40
	49	216	28.76	★	0.93	EKA 37	4P	39
	56	188	25.05	★	1.06	EKF 37	4P	43
	60	176	23.46	★	1.14	EKAF37	4P	42
	68	155	20.70	★	1.16			
	81	130	17.34		1.38			
	90	116	15.51		1.55			
	110	96	12.77	★	1.69			
	117	90	12.00	★	1.80			
	124	85	11.30	★	1.91			
	131	80	10.65		2.0			
	162	65	8.63	★	2.5			
	173	61	8.07	★	2.7			
	211	50	6.64		3.0			
	225	47	6.23		3.2			
	255	41	5.49		3.6			
1.5	0.20	67799	6975		0.80	EK 187ER97	4P	2265
	0.23	58034	5970		0.82	EKA187ER97	4P	2205
	0.26	51367	5284		0.92			
	0.30	45815	4713		1.04			
	0.31	43375	4462		1.10			
	0.40	34066	3505		1.39			
	0.46	29478	3033		1.61			
	0.50	27486	2828		1.73			
	0.58	23502	2418		2.0			
	0.34	39828	4097		0.80	EK 167ER 97	4P	1545
	0.41	33592	3456		0.90	EKA 167ER 97	4P	1505
	0.50	27454	2824		1.11			
	0.61	22278	2292		1.36			
	0.71	19295	1985		1.58			
	0.82	16529	1700		1.84			
	1.0	13080	1346		2.3			
	1.1	12306	1266		2.5			

EK SERIES REDUCTOR

Power (kW)	Output speed (r/min)	Output torque (N·m)	Ratio (i)	Service factor (fB)	Type	Motor pole	Weight (kg)			
1.5	0.60	22698	2335	0.80	EK 157ER97	4P	1045			
	0.68	19941	2051	0.86						
	0.79	17155	1765	1.00						
	0.85	15989	1645	1.07						
	1.1	12727	1309	1.34						
	1.1	11975	1232	1.43						
	1.3	10661	1097	1.60						
	1.5	9059	932	1.89						
	1.6	8358	860	2.0						
	1.8	7441	766	2.3						
	2.2	6282	646	2.7	EKA 157ER97	4P	1005			
	2.4	5638	580	3.0						
	2.6	5220	537	2.4						
	3.0	4598	473	2.7						
	3.3	4068	419	3.0						
	3.8	3552	365	3.5						
	0.80	16984	1747	0.80				EKF 157ER97	4P	1125
	0.91	14878	1531	0.83						
	1.0	13106	1348	0.94						
	1.2	11765	1210	1.05						
	1.3	10320	1062	1.20						
	1.5	9041	930	1.37						
	1.8	7683	790	1.61						
	2.0	6791	699	1.82						
	2.3	5923	609	2.1						
	2.6	5188	534	2.4						
	3.0	4503	463	2.7	EKAF157ER97	4P	1065			
	1.2	11391	1172	0.80						
	1.4	10070	1036	0.80						
	1.5	8805	906	0.86						
1.8	7556	777	1.01							
2.1	6607	680	1.15							
2.3	5889	606	1.29							
2.7	5052	520	1.50							
3.0	4519	465	1.68							
3.5	3941	405	1.93							
3.9	3513	361	2.2							
4.4	3077	317	2.5	EK 107ER77	4P	410				
2.5	5546	571	0.80							
2.8	4893	503	0.83							
3.2	4198	432	0.97							
3.7	3723	383	1.10							
4.1	3322	342	1.23							
4.6	2942	303	1.39							
5.5	2491	256	1.64							
6.2	2197	226	1.86							
7.1	1929	198	2.1				EKA 107ER77	4P	385	
1.2	11391	1172	0.80							
1.4	10070	1036	0.80							
1.5	8805	906	0.86							
1.8	7556	777	1.01							
2.1	6607	680	1.15							
2.3	5889	606	1.29							
2.7	5052	520	1.50							
3.0	4519	465	1.68							
3.5	3941	405	1.93							
3.9	3513	361	2.2							
4.4	3077	317	2.5	EKF 107ER77	4P	420				
2.5	5546	571	0.80							
2.8	4893	503	0.83							
3.2	4198	432	0.97							
3.7	3723	383	1.10							
4.1	3322	342	1.23							
4.6	2942	303	1.39							
5.5	2491	256	1.64							
6.2	2197	226	1.86							
7.1	1929	198	2.1				EKAF107ER77	4P	405	
4.3	3183	327	0.81							
4.7	2898	298	0.89							
5.6	2415	248	1.06							
5.9	2295	236	1.12							
7.1	1908	196	1.34							
7.6	1789	184	1.43	EK 97ER57	4P	183				
4.3	3183	327	0.81							
4.7	2898	298	0.89							
5.6	2415	248	1.06							
5.9	2295	236	1.12							
7.1	1908	196	1.34							
7.6	1789	184	1.43				EKA 97ER57	4P	168	
4.3	3183	327	0.81							
4.7	2898	298	0.89							
5.6	2415	248	1.06							
5.9	2295	236	1.12							
7.1	1908	196	1.34							
7.6	1789	184	1.43	EKF 97ER57	4P	188				
4.3	3183	327	0.81							
4.7	2898	298	0.89							
5.6	2415	248	1.06							
5.9	2295	236	1.12							
7.1	1908	196	1.34							
7.6	1789	184	1.43				EKAF97ER57	4P	268	
4.3	3183	327	0.81							
4.7	2898	298	0.89							
5.6	2415	248	1.06							
5.9	2295	236	1.12							
7.1	1908	196	1.34							
7.6	1789	184	1.43	EK 87ER57	4P	183				
4.3	3183	327	0.81							
4.7	2898	298	0.89							
5.6	2415	248	1.06							
5.9	2295	236	1.12							
7.1	1908	196	1.34							
7.6	1789	184	1.43				EKA 87ER57	4P	168	
4.3	3183	327	0.81							
4.7	2898	298	0.89							
5.6	2415	248	1.06							
5.9	2295	236	1.12							
7.1	1908	196	1.34							
7.6	1789	184	1.43	EKF 87ER57	4P	188				
4.3	3183	327	0.81							
4.7	2898	298	0.89							
5.6	2415	248	1.06							
5.9	2295	236	1.12							
7.1	1908	196	1.34							
7.6	1789	184	1.43				EKAF87ER57	4P	183	
4.3	3183	327	0.81							
4.7	2898	298	0.89							
5.6	2415	248	1.06							
5.9	2295	236	1.12							
7.1	1908	196	1.34							
7.6	1789	184	1.43	EK 107	8P	377				
4.8	2963	142.71	★							2.7
5.6	2561	123.38	★							3.1
6.0	2394	115.32	★							3.3
4.7	3068	147.79	★				1.40	EKA 107	8P	352
5.0	2853	137.41	★				1.51			
5.7	2494	120.11	★				1.72			
4.7	3068	147.79	★				1.40			
5.0	2853	137.41	★				1.51			
5.7	2494	120.11	★				1.72			
4.7	3068	147.79	★	1.40	EKF 107	8P	387			
5.0	2853	137.41	★	1.51						
5.7	2494	120.11	★	1.72						
4.7	3068	147.79	★	1.40						
5.0	2853	137.41	★	1.51						
5.7	2494	120.11	★	1.72						
4.7	3068	147.79	★	1.40				EKAF107	8P	372
5.0	2853	137.41	★	1.51						
5.7	2494	120.11	★	1.72						
4.7	3068	147.79	★	1.40						
5.0	2853	137.41	★	1.51						
5.7	2494	120.11	★	1.72						
4.7	3068	147.79	★	1.40	EK 97	8P	252			
5.0	2853	137.41	★	1.51						
5.7	2494	120.11	★	1.72						
4.7	3068	147.79	★	1.40						
5.0	2853	137.41	★	1.51						
5.7	2494	120.11	★	1.72						
4.7	3068	147.79	★	1.40				EKA 97	8P	232
5.0	2853	137.41	★	1.51						
5.7	2494	120.11	★	1.72						
4.7	3068	147.79	★	1.40						
5.0	2853	137.41	★	1.51						
5.7	2494	120.11	★	1.72						
4.7	3068	147.79	★	1.40	EKF 97	8P	272			
5.0	2853	137.41	★	1.51						
5.7	2494	120.11	★	1.72						
4.7	3068	147.79	★	1.40						
5.0	2853	137.41	★	1.51						
5.7	2494	120.11	★	1.72						
4.7	3068	147.79	★	1.40				EKAF97	8P	257
5.0	2853	137.41	★	1.51						
5.7	2494	120.11	★	1.72						
4.7	3068	147.79	★	1.40						
5.0	2853	137.41	★	1.51						
5.7	2494	120.11	★	1.72						

EK SERIES REDUCTOR

Power (kW)	Output speed (r/min)	Output torque (N · m)	Ratio (i)	Service factor (fB)	Type	Motor pole	Weight (kg)
1.5	5.1	2783	178.72 ★	1.55	EK 97	6P	241
	6.2	2301	147.79 ★	1.87	EKA 97	6P	221
	6.7	2140	137.41 ★	2.0	EKF 97	6P	261
	7.7	1870	120.11 ★	2.3	EKAF97	6P	246
	7.8	1829	178.72 ★	2.4	EK 97	4P	235
	9.5	1512	147.79 ★	2.8	EKA 97	4P	215
	10	1406	137.41 ★	3.1	EKF 97	4P	255
	12	1229	120.11 ★	3.5	EKAF97	4P	240
	6.3	2269	145.74 ★	1.19	EK 87	6P	161
	7.3	1974	126.79 ★	1.37	EKA 87	6P	146
	7.7	1850	118.81 ★	1.46	EKF 87	6P	166
	8.8	1637	105.13 ★	1.65	EKAF87	6P	161
	8.3	1733	169.35 ★	1.56	EK 87	4P	155
	8.8	1636	159.84 ★	1.65	EKA 87	4P	140
	9.3	1547	151.20 ★	1.75	EKF 87	4P	160
	9.6	1491	145.74 ★	1.81	EKAF87	4P	155
	11	1297	126.79 ★	2.1			
	12	1216	118.81 ★	2.2			
	13	1076	105.13 ★	2.5			
	17	863	84.34	3.1			
	7.9	1808	116.11 ★	0.86	EK 77	6P	109
	9.7	1480	95.07 ★	1.05	EKA 77	6P	101
	10	1381	88.70 ★	1.12	EKF 77	6P	117
	12	1211	77.79 ★	1.28	EKAF77	6P	109
	10	1406	137.42 ★	1.10	EK 77	4P	103
	11	1327	129.64 ★	1.17	EKA 77	4P	95
	12	1188	116.11 ★	1.30	EKF 77	4P	111
	15	973	95.07 ★	1.59	EKAF77	4P	103
	16	908	88.70 ★	1.71			
	18	796	77.79 ★	1.95			
	19	748	73.07	2.1			
	22	663	64.82	2.3			
	24	592	57.84	2.6			
	27	531	51.86	2.9			
	31	469	45.86	3.3			
	35	412	40.22	3.8			
	16	890	86.97 ★	0.92	EK 67	4P	70
	18	777	75.90 ★	1.06	EKA 67	4P	67
	20	728	71.16 ★	1.13	EKF 67	4P	75
	24	607	59.30	1.35	EKAF67	4P	73
	25	573	55.98	1.43			
	28	512	50.07	1.60			
	31	460	44.98	1.78			
	36	394	38.54	2.1			
	39	365	35.65 ★	2.2			
	47	306	29.90 ★	2.7			
	50	285	27.85 ★	2.9			
	58	249	24.31	3.3			
	23	624	60.98	0.96	EK 57	4P	62
	25	582	56.92	1.03	EKA 57	4P	60
	28	510	49.85	1.18	EKF 57	4P	67
	32	449	43.91	1.34	EKAF57	4P	65
	36	398	38.85	1.51			
	39	370	36.12	1.62			
	46	314	30.64	1.91			
	51	283	27.66	2.1			
	58	245	23.94	2.4			
	63	229	22.34	2.6			
	71	200	19.59	2.9			
	34	418	40.81	0.96	EK 47	4P	51
	39	371	36.25	1.08	EKA 47	4P	50
	46	314	30.71	1.27	EKF 47	4P	53
	49	291	28.47	1.37	EKAF47	4P	52
	53	271	26.47	1.48			

ER SERIES REDUCTOR

Power (kW)	Output speed (r/min)	Output torque (N · m)	Ratio (i)	Service factor (fB)	Type	Motor pole	Weight (kg)	
1.5	57	252	24.68	1.58	EK 47	4P	51	
	65	221	21.57	1.81	EKA 47	4P	50	
	74	194	18.98	1.96	EKF 47	4P	53	
	83	172	16.79	2.2	EKAF47	4P	52	
	89	162	15.82	2.3				
	106	136	13.26	2.7				
	113	127	12.39	2.8				
	121	119	11.59	2.4				
	60	240	23.46	★	0.83	EK 37	4P	44
	68	212	20.70	★	0.94	EKA 37	4P	43
	81	177	17.34		1.13	EKF 37	4P	47
	90	159	15.51		1.13	EKAF37	4P	46
	110	131	12.77	★	1.38			
	117	123	12.00	★	1.47			
	124	116	11.30	★	1.56			
	131	109	10.65		1.65			
	162	88	8.63		1.70			
	173	83	8.07		1.82			
	211	68	6.64		2.2			
	225	64	6.23		2.2			
255	56	5.49		2.5				
2.2	0.32	62721	4462	★	0.80	EK 87ER97	4P	2273
	0.41	49260	3505		0.96	EKA 87ER97	4P	2213
	0.47	42625	3033		1.11			
	0.50	39745	2828		1.20			
	0.59	33984	2418		1.40			
	0.69	29089	2070		1.63			
	0.79	25301	1800		1.88			
	0.89	22305	1587		2.1			
	0.50	39699	2824		0.80	EK 67ER97	4P	1553
	0.62	32214	2292	★	0.94	EKA 67ER97	4P	1513
	0.72	27901	1985		1.09			
	0.84	23902	1700		1.27			
	1.1	18913	1346		1.61			
	1.1	17795	1266		1.71			
	1.3	15688	1116		1.94			
	1.5	13348	950		2.3			
	0.86	23120	1645		0.80	EK 157ER97	4P	1053
	1.1	18403	1309		0.93	EKA 157ER97	4P	1013
	1.2	17315	1232		0.99	EKF 157ER97	4P	1133
	1.3	15416	1097		1.11	EKAF157ER97	4P	1073
	1.5	13099	932		1.31			
	1.7	12086	860		1.41			
	1.9	10760	766		1.59			
	2.2	9084	646		1.88			
	2.4	8148	580		2.1			
	2.8	7010	499		2.4			
	2.6	7548	537		1.64	EK 127ER87	4P	643
	3.0	6649	473		1.86	EKA 127ER87	4P	613
	3.4	5883	419		2.1	EKF 127ER87	4P	683
	3.9	5136	365		2.4	EKAF127ER87	4P	653
	4.3	4686	333		2.6			
	1.3	14922	1062		0.83	EK 127ER77	4P	613
	1.5	13074	930		0.94	EKA 127ER77	4P	583
	1.8	11110	790		1.11	EKF 127ER77	4P	653
	2.0	9820	699		1.26	EKAF127ER77	4P	623
	2.3	8564	609		1.44			
	2.7	7501	534		1.65			
	3.1	6512	463		1.90			
	3.4	5937	422		2.1			
	2.3	8515	606		0.89	EK 107ER77	4P	418
2.7	7305	520		1.04	EKA 107ER77	4P	393	
3.1	6534	465		1.16	EKF 107ER77	4P	428	
3.5	5698	405		1.33	EKAF107ER77	4P	413	

EK SERIES REDUCTOR

Power (kW)	Output speed (r/min)	Output torque (N · m)	Ratio (i)	Service factor (fB)	Type	Motor pole	Weight (kg)
2.2	3.9	5080	361	1.50	EK 107ER 77	4P	418
	4.5	4450	317	1.71	EKA 107ER 77	4P	393
	4.9	4039	287	1.88	EKF 107ER 77	4P	428
	5.6	3536	252	2.1	EKAF107ER 77	4P	413
	3.7	5383	383	0.80	EK 97ER 57	4P	271
	4.2	4803	342	0.85	EKA 97ER 57	4P	251
	4.7	4254	303	0.96	EKF 97ER 57	4P	291
	5.5	3603	256	1.13	EKAF97ER 57	4P	276
	6.3	3176	226	1.29			
	7.2	2789	198	1.46			
5.0	4223	142.71 ★	1.89	EK 107	8P	391	
5.8	3651	123.38 ★	2.2	EKA 107	8P	366	
6.2	3413	115.32 ★	2.3	EKF 107	8P	401	
7.0	3007	101.63	2.7	EKAF107	8P	386	
6.4	3303	147.79 ★	1.30	EK 97	6P	251	
6.8	3071	137.41 ★	1.40	EKA 97	6P	231	
7.8	2685	120.11 ★	1.60	EKF 97	6P	261	
8.8	2375	106.26 ★	1.81	EKAF97	6P	246	
7.9	2644	178.72 ★	1.63	EK 97	4P	243	
9.6	2187	147.79 ★	1.97	EKA 97	4P	223	
10	2033	137.41 ★	2.1	EKF 97	4P	263	
12	1777	120.11	2.3	EKAF97	4P	248	
13	1572	106.26	2.6				
15	1405	94.94	2.9				
9.7	2156	145.74 ★	1.25	EK 87	4P	163	
11	1876	126.79 ★	1.44	EKA 87	4P	148	
12	1758	118.81 ★	1.54	EKF 87	4P	168	
14	1556	105.13 ★	1.74	EKAF87	4P	163	
17	1248	84.34	2.2				
18	1186	80.15	2.3				
20	1025	69.29	2.6				
22	935	63.22	2.9				
12	1718	116.11 ★	0.90	EK 77	4P	111	
15	1407	95.07 ★	1.10	EKA 77	4P	103	
16	1312	88.70 ★	1.18	EKF 77	4P	119	
18	1151	77.79	1.35	EKAF77	4P	111	
19	1081	73.07	1.43				
22	959	64.82	1.62				
25	856	57.84	1.81				
27	767	51.86	2.0				
31	679	45.86 ★	2.3				
35	595	40.22 ★	2.6				
40	526	35.56	2.9				
45	468	31.64	3.3				
47	442	29.91	3.5				
56	376	25.43	4.1				
24	877	59.30 ★	0.93	EK 67	4P	78	
25	828	55.98	0.99	EKA 67	4P	75	
28	741	50.07	1.11	EKF 67	4P	83	
32	666	44.98	1.23	EKAF67	4P	81	
37	570	38.54	1.44				
40	527	35.65 ★	1.55				
47	442	29.90 ★	1.85				
51	412	27.85 ★	1.99				
58	360	24.31 ★	2.3				
62	337	22.77 ★	2.3				
75	279	18.85	2.7				
80	263	17.74	2.8				
90	233	15.75	3.0				
105	200	13.52 ★	2.7				
113	186	12.59 ★	3.0				
138	152	10.29 ★	3.0				
147	143	9.66 ★	3.2				
167	126	8.53	3.5				
199	105	7.12	3.8				

EK SERIES REDUCTOR

Power (kW)	Output speed (r/min)	Output torque (N · m)	Ratio (i)	Service factor (fB)	Type	Motor pole	Weight (kg)	
2.2	32	650	43.91	0.92	EK 57	4P	70	
	37	575	38.85	1.04	EKA 57	4P	68	
	39	534	36.12	1.12	EKF 57	4P	75	
	46	453	30.64	1.32	EKAF57	4P	73	
	51	409	27.66	1.34				
	59	354	23.94	1.55				
	64	331	22.34	1.66				
	73	289	19.56	1.90				
	82	255	17.23	1.96				
	93	226	15.25	2.2				
	105	200	13.54	2.5				
	116	182	12.72	2.2				
	127	165	11.14	2.4				
	54	392	26.47	★	1.02	EK 47	4P	59
	58	365	24.68	★	1.10	EKA 47	4P	58
	66	319	21.57	★	1.25	EKF 47	4P	61
	75	281	18.98	★	1.42	EKAF47	4P	60
	85	248	16.79		1.41			
	90	234	15.82		1.50			
	107	196	13.26	★	1.78			
	115	183	12.39	★	1.64			
	123	171	11.59	★	1.75			
	131	161	10.87	★	1.74			
	157	134	9.02		2.1			
	111	189	12.77	★	1.06	EK 37	4P	52
	118	178	12.00	★	1.13	EKA 37	4P	51
	126	167	11.30	★	1.20	EKF 37	4P	55
	133	158	10.65	★	1.27	EKAF37	4P	54
	165	128	8.63	★	1.25			
	176	119	8.07	★	1.34			
	214	98	6.64		1.53			
228	92	6.23		1.63				
259	81	5.49		1.85				
3	0.47	58126	3033	0.82	EK 187ER97	4P	2277	
	0.50	54198	2828	0.88	EKA187ER97	4P	2217	
	0.59	46341	2418	1.03				
	0.69	39667	2070	1.20				
	0.79	34502	1800	1.38				
	0.89	30416	1587	1.56				
	1.0	26036	1358	1.82				
	1.2	23580	1230	2.0				
	0.84	32593	1700	0.93	EK 167ER97	4P	1557	
	1.1	25791	1346	1.18	EKA 167ER97	4P	1517	
	1.1	24266	1266	1.25				
	1.3	21393	1116	1.42				
	1.5	18202	950	1.67				
	1.7	16270	849	1.87				
	1.9	14074	734	2.2				
	1.2	23612	1232	0.80	EK 157ER97	4P	1057	
	1.3	21021	1097	0.81	EKA 157ER97	4P	1017	
	1.5	17862	932	0.96	EKF 157ER97	4P	1137	
	1.7	16481	860	1.04	EKAF157ER97	4P	1077	
	1.9	14673	766	1.17				
	2.2	12388	646	1.38				
	2.4	11111	580	1.54				
	2.8	9559	499	1.79				
	2.6	10293	537	1.20	EK 127ER87	4P	647	
	3.0	9067	473	1.36	EKA 127ER87	4P	617	
	3.4	8022	419	1.54	EKF 127ER87	4P	687	
	3.9	7004	365	1.76	EKAF127ER87	4P	657	
4.3	6390	333	1.93					
5.0	5486	286	2.3					

EK SERIES REDUCTOR

Power (kW)	Output speed (r/min)	Output torque (N · m)	Ratio (i)		Service factor (fB)	Type	Motor pole	Weight (kg)
3	1.8	15150	790	★	0.82	EK 127ER77	4P	617
	2.0	13391	699		0.92	EKA 127ER77	4P	587
	2.3	11678	609		1.06	EKF 127ER77	4P	657
	2.7	10229	534		1.21	EKAF127ER77	4P	627
	3.1	8880	463		1.39			
	3.4	8095	422		1.53			
	3.1	8910	465		0.85	EK 107ER77	4P	422
	3.5	7771	405		0.98	EKA 107ER77	4P	407
	3.9	6928	361		1.10	EKF 107ER77	4P	432
	4.5	6068	317		1.25	EKAF107ER77	4P	417
	4.9	5507	287		1.38			
	5.6	4822	252		1.58			
	6.4	4270	223		1.78			
	7.3	3739	195		2.0			
	8.2	3310	173		2.3			
	9.1	3004	157		2.5			
	10	2630	137		2.9			
	5.5	4913	256		0.83	EK 97ER57	4P	275
	6.3	4331	226		0.94	EKA 97ER57	4P	255
	7.2	3804	198		1.07	EKF 97ER57	4P	295
						EKAF97ER57	4P	280
	5.0	5759	142.71	★	1.39	EK 107	8P	399
	5.8	4979	123.38	★	1.61	EKA 107	8P	374
	6.2	4654	115.32	★	1.72	EKF 107	8P	409
	7.0	4101	101.63	★	1.95	EKAF107	8P	394
	7.9	3649	90.43		2.2			
	6.7	4259	142.71	★	1.01	EK 107	6P	399
	7.8	3682	123.38	★	1.17	EKA 107	6P	374
	8.3	3442	115.32	★	1.25	EKF 107	6P	409
	9.4	3033	101.63		1.42	EKAF107	6P	394
	9.9	2879	142.71	★	1.49	EK 107	4P	372
	12	2489	123.38	★	1.73	EKA 107	4P	347
						EKF 107	4P	382
						EKAF107	4P	367
	8.0	3584	120.11	★	1.20	EK 97	6P	274
	9.0	3171	106.26	★	1.36	EKA 97	6P	254
	10	2833	94.94	★	1.52	EKF 97	6P	294
	11	2552	85.50		1.69	EKAF97	6P	279
	7.9	3606	178.72	★	1.19	EK 97	4P	247
9.6	2982	147.79	★	1.44	EKA 97	4P	227	
10	2772	137.41	★	1.55	EKF 97	4P	267	
12	2423	120.11	★	1.77	EKAF97	4P	252	
13	2144	106.26	★	2.0				
15	1915	94.94		2.2				
17	1725	85.50		2.5				
18	1564	77.51	★	2.7				
20	1426	70.67		2.9				
23	1270	62.93		3.3				
25	1139	56.43		3.7				
9.7	2940	145.74	★	0.90	EK 87	4P	167	
11	2558	126.79	★	1.02	EKA 87	4P	152	
12	2397	118.81	★	1.13	EKF 87	4P	172	
14	2121	105.13	★	1.27	EKAF87	4P	167	
17	1702	84.34		1.59				
18	1617	80.15		1.67				
20	1398	69.29		1.93				
22	1275	63.22		2.1				
25	1152	57.11	★	2.3				
29	1003	49.69	★	2.7				
32	883	43.75	★	2.9				
39	742	36.77		3.2				

EK SERIES REDUCTOR

Power (kW)	Output speed (r/min)	Output torque (N · m)	Ratio (i)		Service factor (fB)	Type	Motor pole	Weight (kg)
3	16	1790	88.70	★	0.87	EK 77	4P	115
	18	1569	77.79	★	0.99	EKA 77	4P	107
	19	1474	73.07		1.05	EKF 77	4P	123
	22	1308	64.82		1.19	EKAF77	4P	115
	25	1167	57.84		1.33			
	27	1046	51.86		1.48			
	31	925	45.86	★	1.68			
	35	811	40.22		1.91			
	40	717	35.56		2.2			
	45	638	31.64		2.4			
	47	603	29.91		2.5			
	56	513	25.43		2.7			
	32	908	45.00		0.90	EK 67	4P	82
	37	778	38.54		1.05	EKA 67	4P	79
	40	719	35.65	★	1.14	EKF 67	4P	87
	47	603	29.90	★	1.36	EKAF67	4P	85
	51	562	27.85	★	1.46			
	58	490	24.31		1.63			
	62	459	22.77		1.74			
	75	380	18.85		1.95			
	80	358	17.74		2.1			
	90	318	15.75		2.5			
	105	273	13.52	★	2.38			
	113	254	12.59	★	1.65			
	138	208	10.29		1.93			
	147	195	9.66		2.1			
	167	172	8.53		2.3			
	199	144	7.12		2.4			
	46	618	30.64	★	0.97	EK 57	4P	74
	51	558	27.66	★	1.08	EKA 57	4P	72
	59	483	23.94	★	1.24	EKF 57	4P	79
	64	451	22.34	★	1.33	EKAF57	4P	77
73	395	19.56		1.39				
82	348	17.23		1.58				
93	308	15.25		1.72				
105	273	13.54		1.87				
116	248	12.72		2.0				
127	225	11.14		1.87				
145	198	9.81		2.1				
164	175	8.68		2.2				
184	156	7.71		2.3				
75	383	18.98	★	1.04	EK 47	4P	63	
85	339	16.79		1.12	EKA 47	4P	62	
90	319	15.82		1.16	EKF 47	4P	65	
107	268	13.26	★	1.35	EKAF47	4P	64	
115	250	12.39	★	1.28				
123	234	11.59	★	1.37				
131	219	10.87	★	1.37				
148	193	9.59		1.45				
157	182	9.02		1.54				
167	171	8.50		1.28				
199	144	7.14		1.53				
211	136	6.75		1.62				
249	115	5.70		1.91				
165	174	8.63	★	0.89	EK 37	4P	56	
176	163	8.07	★	0.92	EKA 37	4P	55	
214	134	6.64		1.05	EKF 37	4P	59	
228	126	6.23		1.11	EKAF37	4P	58	
259	111	5.49		1.26				
4	0.60	60930	2418		0.80	EK 187ER 97	4P	2285
	0.70	52155	2070		0.91	EKA187ER 97	4P	2225
	0.80	45363	1800		1.05			
	0.91	39992	1587		1.19			
	1.1	34232	1358		1.39			
	1.2	31004	1230		1.53			
	1.4	26310	1044		1.81			
	1.6	23000	913		2.1			

EK SERIES REDUCTOR

Power (kW)	Output speed (r/min)	Output torque (N · m)	Ratio (i)	Service factor (fB)	Type	Motor pole	Weight (kg)
4	1.1	33910	1346	0.90	EK 167ER97 EKA 167ER97	4P	1565
	1.1	31905	1266	0.95		4P	1525
	1.3	28127	1116	1.08			
	1.5	23932	950	1.27			
	1.7	21392	849	1.42			
	2.0	18505	734	1.64			
	2.3	15839	628	1.92			
	1.7	21670	860	0.80	EK 157ER97 EKA 157ER97 EKF 157ER97 EKAF157ER97	4P	1065
	1.9	19293	766	0.89		4P	1025
	2.2	16288	646	1.05		4P	1145
	2.5	14609	580	1.17		4P	1085
	2.9	12568	499	1.36			
	3.3	10987	436	1.56			
	2.7	13534	537	0.91	EK 127ER87 EKA 127ER87 EKF 127ER87 EKAF127ER87	4P	655
	3.0	11922	473	1.04		4P	625
	3.4	10547	419	1.17		4P	695
	3.9	9209	365	1.34		4P	665
	4.3	8401	333	1.47			
	5.0	7213	286	1.71			
	5.7	6381	253	1.94			
	2.4	15355	609	0.80	EK 127ER77 EKA 127ER77 EKF 127ER77 EKAF127ER77	4P	625
	2.7	13449	534	0.92		4P	595
	3.1	11676	463	1.06		4P	665
	3.4	10644	422	1.16		4P	635
4.0	9109	361	0.83	EK 107ER77 EKA 107ER77 EKF 107ER77 EKAF107ER77	4P	430	
4.5	7978	317	0.95		4P	405	
5.0	7241	287	1.05		4P	440	
5.7	6340	252	1.20		4P	425	
6.5	5614	223	1.35				
7.4	4916	195	1.55				
8.3	4351	173	1.75				
9.2	3950	157	1.92				
10	3458	137	2.2				
5.4	7138	134.53 ★	1.82	EK 127 EKA 127 EKF 127 EKAF127	8P	635	
6.0	6319	119.10 ★	2.1		8P	605	
6.4	5968	112.48 ★	2.2		8P	675	
6.7	5715	143.61 ★	2.3	EK 127 EKA 127 EKF 127 EKAF127	8P	645	
7.1	5353	134.53 ★	2.4		6P	606	
8.1	4739	119.10	2.7		6P	576	
8.5	4476	112.48	2.9		6P	646	
6.2	6119	115.32 ★	1.31	EK 107 EKA 107 EKF 107 EKAF107	6P	616	
7.1	5392	101.63	1.48		8P	440	
8.0	4798	90.43	1.67		8P	415	
8.9	4302	81.09	1.86		8P	450	
6.7	5679	142.71 ★	1.41	EK 107 EKA 107 EKF 107 EKAF107	8P	435	
7.8	4910	123.38 ★	1.63		6P	411	
8.3	4589	115.32 ★	1.74		6P	386	
9.4	4044	101.63	1.98		6P	421	
11	3598	90.43	2.2		6P	406	
10	3786	142.71 ★	2.1	EK 107 EKA 107 EKF 107 EKAF107	4P	380	
12	3273	123.38 ★	2.4		4P	355	
12	3059	115.32 ★	2.6		4P	390	
14	2696	101.63	3.0		4P	375	
16	2399	90.43	3.3				
18	2151	81.09	3.7				
20	1941	73.19	4.1				

EK SERIES REDUCTOR

Power (kW)	Output speed (r/min)	Output torque (N · m)	Ratio (i)		Service factor (fB)	Type	Motor pole	Weight (kg)
4	9.7	3921	147.79	★	1.10	EK 97	4P	255
	10	3645	137.41	★	1.18	EKA 97	4P	235
	12	3186	120.11	★	1.35	EKF 97	4P	275
	14	2819	106.26	★	1.53	EKAF97	4P	260
	15	2519	94.94		1.71			
	17	2268	85.50		1.90			
	19	2056	77.51		2.1			
	20	1875	70.67	★	2.3			
	23	1669	62.93		2.6			
	26	1497	56.43		2.9			
	12	3152	118.81	★	0.86	EK 87	4P	175
	14	2789	105.13	★	0.97	EKA 87	4P	160
	17	2237	84.34		1.21	EKF 87	4P	180
	18	2126	80.15		1.27	EKAF87	4P	175
	21	1838	69.29		1.47			
	23	1677	63.22		1.61			
	25	1515	57.11	★	1.78			
	29	1318	49.69	★	2.0			
	33	1161	43.75	★	2.2			
	39	976	36.77		2.5			
	22	1720	64.82		0.90	EK 77	4P	123
	25	1534	57.84		1.01	EKA 77	4P	115
	28	1376	51.86		1.13	EKF 77	4P	131
	31	1217	45.86	★	1.27	EKAF77	4P	123
	36	1067	40.22	★	1.45			
	40	943	35.56		1.64			
46	839	31.64		1.85				
48	793	29.91		1.95				
57	674	25.43		2.3				
61	629	23.72		2.5				
72	527	19.88		2.9				
48	793	29.90	★	1.03	EK 67	4P	90	
52	739	27.85	★	1.11	EKA 67	4P	87	
59	645	24.31		1.24	EKF 67	4P	95	
63	604	22.77		1.32	EKAF67	4P	93	
76	500	18.85		1.58				
81	471	17.74		1.59				
91	418	15.75		1.72				
106	359	13.52		1.81				
114	334	12.59	★	1.86				
140	273	10.29	★	1.83				
149	256	9.66		1.87				
169	226	8.53		1.99				
202	189	7.12		2.1				
60	635	23.94	★	0.94	EK 57	4P	82	
64	593	22.34	★	1.01	EKA 57	4P	80	
74	519	19.56		1.16	EKF 57	4P	87	
84	457	17.23		1.25	EKAF57	4P	85	
94	405	15.25		1.31				
106	359	13.54		1.48				
117	325	12.72		1.57				
129	296	11.14		1.40				
147	260	9.81		1.56				
166	230	8.68		1.61				
187	205	7.71		1.69				
5.5	0.80	62374	1800		0.80	EK 187ER97	4P	2304
	0.91	54988	1587		0.86	EKA187ER97	4P	2244
	1.1	47069	1358		1.01			
	1.2	42630	1230		1.11			
	1.4	36177	1044		1.31			
	1.6	31624	913		1.50			
	2.1	23818	687		1.99			
	2.4	20802	600		2.3			
	1.3	38675	1116		0.80	EK 167ER 97	4P	1584
	1.5	32907	950		0.92	EKA 167ER 97	4P	1544
	1.7	29414	849		1.03			
	2.0	25444	734		1.19			

EK SERIES REDUCTOR

Power (kW)	Output speed (r/min)	Output torque (N · m)	Ratio (i)	Service factor (fB)	Type	Motor pole	Weight (kg)
5.5	2.3	21778	628	1.40	EK 167ER97	4P	1584
	2.5	19571	565	1.55	EKA 167ER97	4P	1544
	2.9	17260	498	1.76			
	3.4	14630	422	2.1			
	2.2	22396	646	0.80	EK 157ER97	4P	1084
	2.5	20087	580	0.85	EKA 157ER97	4P	1044
	2.9	17282	499	0.99	EKF 157ER97	4P	1164
	3.3	15107	436	1.13	EKAF 157ER97	4P	1104
	3.8	13292	384	1.29			
	3.4	14502	419	0.85	EK 127ER87	4P	674
	3.9	12662	365	0.98	EKA 127ER87	4P	644
	4.3	11552	333	1.07	EKF 127ER87	4P	714
	5.0	9917	286	1.25	EKAF 127ER87	4P	684
	5.7	8774	253	1.41			
	6.8	7379	213	1.67			
	7.1	7043	203	1.75			
	8.6	5795	167	2.1			
	10	4998	144	2.5			
	6.5	7720	223	0.98	EK 107ER77	4P	449
	7.4	6759	195	1.12	EKA 107ER77	4P	424
	8.3	5983	173	1.27	EKF 107ER77	4P	459
	9.2	5431	157	1.40	EKAF 107ER77	4P	444
	10	4755	137	1.60			
	4.9	10745	147.29	1.68	EK 157	8P	1015
	5.2	10071	138.06	1.79	EKA 157	8P	975
	5.9	8916	122.22	2.0	EKF 157	8P	1095
	6.6	7962	109.14	2.3	EKAF 157	8P	1035
	7.3	7160	98.15	2.5			
	5.4	9814	134.53 ★	1.32	EK 127	8P	655
	6.0	8688	119.10 ★	1.50	EKA 127	8P	625
	6.4	8205	112.48 ★	1.58	EKF 127	8P	695
	7.9	6661	91.31	1.95	EKAF 127	8P	665
	7.1	7361	134.53	1.77	EK 127	6P	610
	8.1	6516	119.10	2.0	EKA 127	6P	580
	8.5	6154	112.48	2.1	EKF 127	6P	650
	11	4996	91.31	2.6	EKAF 127	6P	620
	10	5206	142.71 ★	1.54	EK 107	4P	399
	12	4500	123.38 ★	1.78	EKA 107	4P	374
	12	4207	115.32 ★	1.90	EKF 107	4P	409
	14	3707	101.63	2.2	EKAF 107	4P	394
	16	3298	90.43	2.4			
	18	2958	81.09	2.7			
	20	2670	73.19	3.0			
	12	4381	120.11 ★	0.98	EK 97	4P	274
	14	3876	106.26 ★	1.11	EKA 97	4P	254
	15	3463	94.94 ★	1.24	EKF 97	4P	294
	17	3119	85.50	1.38	EKAF 97	4P	279
	19	2827	77.51	1.52			
	20	2578	70.67	1.67			
	23	2295	62.93	1.87			
	26	2058	56.43	2.1			
	30	1766	48.42	2.4			
	17	3076	84.34	0.88	EK 87	4P	194
	18	2923	80.15	0.92	EKA 87	4P	179
	21	2527	69.29	1.07	EKF 87	4P	199
	23	2306	63.22	1.17	EKAF 87	4P	194
	25	2083	57.11 ★	1.30			
	29	1812	49.69 ★	1.49			
	33	1596	43.75 ★	1.69			
	39	1341	36.77 ★	2.0			
	46	1146	31.41	2.4			
	52	1004	27.53 ★	2.7			

EK SERIES REDUCTOR

Power (kW)	Output speed (r/min)	Output torque (N · m)	Ratio (i)		Service factor (fB)	Type	Motor pole	Weight (kg)
5.5	31	1673	45.86	★	0.93	EK 77	4P	142
	36	1467	40.22	★	1.06	EKA 77	4P	134
	40	1297	35.56	★	1.20	EKF 77	4P	150
	46	1154	31.64		1.34	EKAF77	4P	142
	48	1091	29.91		1.42			
	57	927	25.43		1.67			
	61	865	23.72		1.79			
	72	725	19.88		2.1			
	82	642	17.60	★	2.4			
	94	559	15.32	★	2.8			
	59	887	24.31	★	0.92	EK 67	4P	109
	63	830	22.77	★	0.99	EKA 67	4P	106
	76	688	18.85		1.19	EKF 67	4P	114
	81	647	17.74		1.27	EKAF67	4P	112
	91	575	15.75		1.43			
	106	493	13.52	★	1.66			
	114	459	12.59	★	1.79			
	140	375	10.29	★	2.2			
	149	352	9.66		2.3			
	169	311	8.53		2.6			
	202	260	7.12		3.2			
	84	628	17.23		0.88	EK 57	4P	101
	94	556	15.25		0.96	EKA 57	4P	99
	106	494	13.54		1.08	EKF 57	4P	106
	113	464	12.72	★	1.10	EKAF57	4P	104
	129	406	11.14	★	1.01			
	147	358	9.81		1.12			
	166	317	8.68		1.23			
187	281	7.71		1.30				
7.5	1.2	57336	1230		0.83	EK 187 ER97	4P	2317
	1.4	48656	1044		0.98	EKA187 ER97	4P	2257
	1.6	42533	913		1.12			
	2.1	32035	687		1.48			
	2.4	27977	600		1.70			
	2.8	24450	525		1.94			
	1.7	39560	849		0.80	EK 167 ER97	4P	1597
	2.0	34221	734		0.89	EKA 167 ER97	4P	1557
	2.3	29291	628		1.04			
	2.6	26322	565		1.15			
	2.9	23213	498		1.31			
	3.5	19677	422		1.54			
	4.0	17196	369		1.77			
	3.3	20318	436		0.84	EK 157 ER97	4P	1097
	3.8	17878	384		0.96	EKA 157 ER97	4P	1057
	4.3	15767	338		1.08	EKF 157 ER97	4P	1177
	5.1	13365	287		1.28	EKAF157 ER97	4P	1117
	4.4	15536	333		0.80	EK 127 ER87	4P	687
	5.1	13338	286		0.93	EKA 127 ER87	4P	657
	5.8	11800	253		1.05	EKF 127 ER87	4P	727
	6.9	9925	213		1.24	EKAF127 ER87	4P	697
	7.2	9473	203		1.30			
	8.7	7794	167		1.58			
	10	6722	144		1.84			
	4.5	15805	158.88		2.0	EK 167	8P	1532
	5.5	13043	131.11		2.5	EKA 167	8P	1492
	6.0	11854	158.88		2.7	EK 167	6P	1505
	7.3	9782	131.11		3.3	EKA 167	6P	1465
	6.5	10989	147.29		1.64	EK 157	6P	1005
	7.0	10300	138.06		1.75	EKA 157	6P	965
	7.9	9119	122.22		1.97	EKF 157	6P	1085
	8.8	8143	109.14		2.2	EKAF157	6P	1025

EK SERIES REDUCTOR

Power (kW)	Output speed (r/min)	Output torque (N · m)	Ratio (i)		Service factor (fB)	Type	Motor pole	Weight (kg)
7.5	9.8	7323	98.15		2.5	EK 157	6P	1005
	10	6961	93.29		2.6	EKA 157	6P	965
	12	5930	79.49		3.0	EKF 157	6P	1085
						EKAF157	6P	1025
	7.1	10037	134.53	★	1.30	EK 127	6P	645
	8.1	8886	119.10	★	1.46	EKA 127	6P	615
	8.5	8392	112.48	★	1.55	EKF 127	6P	685
	11	6812	91.31		1.91	EKAF127	6P	655
	10	7143	143.61	★	1.82	EK 127	4P	607
	11	6692	134.53	★	1.94	EKA 127	4P	577
	12	5924	119.10		2.2	EKF 127	4P	647
	13	5595	112.48		2.3	EKAF127	4P	617
	16	4542	91.31		2.9			
	17	4132	83.07		3.1			
	20	3620	72.78		3.6			
	10	7099	142.71	★	1.13	EK 107	4P	412
	12	6137	123.38	★	1.30	EKA 107	4P	387
	12	5736	115.32	★	1.39	EKF 107	4P	422
	14	5055	101.63		1.58	EKAF107	4P	407
	16	4498	90.43		1.78			
	18	4033	81.09		1.98			
	20	3640	73.19		2.2			
	22	3303	66.41		2.4			
	25	2817	56.63		2.8			
	29	2478	49.83		3.2			
	35	2068	41.58		3.9			
	39	1844	37.07		4.3			
	15	4722	94.94	★	0.91	EK 97	4P	287
	17	4253	85.50		1.01	EKA 97	4P	267
	19	3856	77.51		1.12	EKF 97	4P	307
	20	3515	70.67		1.22	EKAF97	4P	292
	23	3130	62.93		1.37			
	26	2807	56.43		1.53			
	30	2408	48.42		1.79			
	35	2040	41.01		2.0			
	38	1905	38.31		2.2			
	43	1671	33.59		2.5			
	23	3144	63.22		0.86	EK 87	4P	207
	25	2841	57.11	★	0.95	EKA 87	4P	192
	29	2471	49.69	★	1.09	EKF 87	4P	212
	33	2176	43.75	★	1.24	EKAF87	4P	207
	39	1829	36.77	★	1.31			
	46	1562	31.41		1.54			
	52	1369	27.53	★	1.75			
	59	1217	24.47	★	1.97			
	66	1090	21.92		2.2			
	73	983	19.76		2.3			
	84	850	17.09		2.4			
	88	811	16.31		2.5			
	102	700	14.07		2.9			
	46	1574	31.64		0.98	EK 77	4P	155
	48	1488	29.91		1.04	EKA 77	4P	147
	57	1265	25.43		1.23	EKF 77	4P	163
	61	1180	23.72		1.31	EKAF77	4P	155
	72	989	19.88	★	1.57			
	82	875	17.60		1.49			
	94	762	15.32		1.71			
	107	669	13.44		1.94			
	114	628	12.62		2.1			
	129	555	11.16		1.62			
	154	465	9.35		1.83			
	173	415	8.34		1.98			
	204	351	7.05		2.3			

EK SERIES REDUCTOR

Power (kW)	Output speed (r/min)	Output torque (N · m)	Ratio (i)	Service factor (fB)	Type	Motor pole	Weight (kg)
11	1.7	57572	842	0.83	EK 187ER107	4P	2435
	2.0	49818	729	0.95	EKA187ER107	4P	2375
	2.3	43283	633	1.10			
	2.8	35871	525	1.32			
	3.2	31662	463	1.50			
	4.2	23766	348	2.0			
	2.1	46984	687	1.01	EK 187ER97	4P	2355
	2.4	41033	600	1.16	EKA187ER97	4P	2295
	2.8	35859	525	1.32			
	4.5	21970	321	1.38	EK 167ER 107	4P	1715
	5.2	19029	278	1.60	EKA 167ER 107	4P	1675
	5.9	16924	248	1.80			
	6.6	15018	220	2.0			
	7.1	14154	207	2.1			
	2.6	38605	565	0.80	EK 167ER97	4P	1635
	2.9	34046	498	0.89	EKA 167ER97	4P	1595
	3.5	28860	422	1.05			
	4.0	25221	369	1.21			
	4.3	23124	338	0.80	EK 157ER97	4P	1135
	5.1	19602	287	0.87	EKA 157ER97	4P	1095
					EKF 157ER97	4P	1215
					EKAF157ER97	4P	1155
	6.9	14556	213	0.85	EK 127ER87	4P	725
7.2	13893	203	0.89	EKA 127ER87	4P	695	
8.7	11431	167	1.08	EKF 127ER87	4P	765	
10	9859	144	1.25	EKAF127ER87	4P	735	
5.6	18867	131.11	1.70	EK 167	8P	1566	
6.6	15914	110.59	2.0	EKA 167	8P	1526	
6.0	17385	158.88	1.84	EK 167	6P	1550	
7.3	14347	131.11	2.2	EKA 167	6P	1510	
9	11431	158.88	2.7	EK 167	4P	1505	
11	9434	131.11	3.2	EKA 167	4P	1465	
6.0	17585	122.20	1.02	EK 157	8P	1066	
6.7	15700	109.10	1.15	EKA 157	8P	1026	
7.4	14131	98.20	1.27	EKF 157	8P	1146	
7.8	13426	93.30	1.34	EKAF157	8P	1086	
9.2	11440	79.50	1.57				
7.0	15112	138.10	1.19	EK 157	6P	1050	
7.9	13372	122.20	1.35	EKA 157	6P	1010	
8.8	11938	109.10	1.51	EKF 157	6P	1130	
9.8	10746	98.20	1.68	EKAF157	6P	1070	
10	10210	93.30	1.76				
12	8699	79.50	2.1				
10	10599	147.30	1.70	EK 157	4P	1005	
11	9937	138.10	1.81	EKA 157	4P	965	
12	8793	122.20	2.0	EKF 157	4P	1085	
13	7850	109.10	2.3	EKAF157	4P	1025	
15	7066	98.20	2.5				
16	6713	93.30	2.7				
11	9680	134.53	★	1.34	EK 127	4P	645
12	8569	119.10	★	1.52	EKA 127	4P	615
13	8093	112.48	★	1.61	EKF 127	4P	685
16	6570	91.31		1.98	EKAF127	4P	655
18	5977	83.07		2.2			
20	5237	72.78		2.5			
13	8298	115.32	★	0.96	EK 107	4P	450
14	7312	101.63	★	1.09	EKA 107	4P	425
16	6506	90.43		1.23	EKF 107	4P	460
18	5834	81.09		1.37	EKAF107	4P	445

EK SERIES REDUCTOR

Power (kW)	Output speed (r/min)	Output torque (N · m)	Ratio (i)		Service factor (fB)	Type	Motor pole	Weight (kg)
11	20	5266	73.19		1.52	EK 107	4P	450
	22	4779	66.41		1.67	EKA 107	4P	425
	26	4075	56.63	★	1.96	EKF 107	4P	460
	29	3585	49.83		2.2	EKAF107	4P	445
	35	2992	41.58		2.4			
	39	2667	37.07		2.7			
	21	5085	70.67	★	0.85	EK 97	4P	325
	23	4528	62.93		0.95	EKA 97	4P	305
	26	4060	56.43		1.06	EKF 97	4P	345
	30	3484	48.42		1.23	EKAF97	4P	330
	36	2950	41.01	★	1.46			
	38	2756	38.31		1.56			
	43	2417	33.59		1.78			
	46	2267	31.51		1.90			
	52	2002	27.82		2.1			
	59	1773	24.64		2.4			
	67	1573	21.87		2.7			
	33	3148	43.75	★	0.86	EK 87	4P	245
	40	2646	36.77	★	1.02	EKA 87	4P	230
46	2260	31.41	★	1.19	EKF 87	4P	250	
53	1981	27.53	★	1.36	EKAF87	4P	245	
60	1761	24.47	★	1.53				
67	1577	21.92	★	1.71				
74	1422	19.76	★	1.62				
85	1229	17.09		1.87				
90	1174	16.31		1.53				
104	1012	14.07		1.78				
119	880	12.23		2.0				
128	823	11.44		1.82				
146	722	10.03		2.1				
176	597	8.30		2.2				
199	528	7.34		2.5				
62	1707	23.72		0.91	EK 77	4P	193	
73	1430	19.88		1.08	EKA 77	4P	185	
83	1266	17.60		1.22	EKF 77	4P	201	
95	1102	15.32		1.32	EKAF77	4P	193	
109	967	13.44		1.34				
116	908	12.62		1.32				
131	803	11.16		1.25				
156	673	9.35		1.26				
175	600	8.34		1.33				
207	507	7.05		1.48				
15	2.3	59022	633		0.80	EK 187ER 107	4P	2444
	2.8	48915	525		0.97	EKA187ER 107	4P	2384
	3.2	43175	463		1.10			
	4.2	32408	348		1.47			
	5.6	24490	263		1.94			
	4.5	29960	321		1.01	EK 167ER 107	4P	1724
	5.2	25949	278		1.17	EKA 167ER 107	4P	1684
	5.9	23079	248		1.32			
	6.6	20480	220		1.48			
	7.1	19301	207		1.58			
	8.1	16721	179		1.82			
	9.4	14552	156		2.1			
	6.3	21498	231		0.80	EK 157ER 107	4P	1224
	6.7	20344	218		0.84	EKA 157ER 107	4P	1184
	7.9	17139	184		1.00	EKF 157ER 107	4P	1304
	9.5	14334	154		1.19	EKAF157ER 107	4P	1244
	12	11380	122		1.50			
	13	10286	110		1.66			
	5.4	26600	179.80		1.80	EK 187	6P	2300
	5.9	24400	167.86		1.90	EKA187	6P	2240

EK SERIES REDUCTOR

Power (kW)	Output speed (r/min)	Output torque (N · m)	Ratio (i)	Service factor (fB)	Type	Motor pole	Weight (kg)	
15	7.4	19363	131.11	1.65	EK 167	6P	1580	
	8.8	16332	110.59	1.96	EKA 167	6P	1540	
	9.2	15588	158.88	2.1	EK 167	4P	1524	
	11	12864	131.11	2.5	EKA 167	4P	1484	
	7.9	18050	122.22	1.00	EK 157	6P	1080	
	8.9	16118	109.14	1.12	EKA 157	6P	1040	
	9.9	14495	98.15	1.24	EKF 157	6P	1160	
	10	13778	93.29	1.31	EKAF157	6P	1100	
	12	11739	79.49	1.53				
	13	11047	74.80	1.63				
	14	10413	70.51	1.73				
	9.9	14452	147.29	1.25	EK 157	4P	1024	
	11	13546	138.06	1.33	EKA 157	4P	984	
	12	11992	122.22	1.50	EKF 157	4P	1104	
	13	10709	109.14	1.68	EKAF157	4P	1044	
	15	9631	98.15	1.87				
	16	9154	93.29	2.0				
	18	7799	79.49	2.3				
	11	13200	134.53	★	0.94	EK 127	4P	664
	12	11685	119.10	★	1.06	EKA 127	4P	634
	13	11036	112.48	★	1.12	EKF 127	4P	704
	16	8959	91.31		1.38	EKAF127	4P	674
	18	8151	83.07		1.52			
	20	7141	72.78		1.73			
	23	6131	62.49		2.01			
	27	5323	54.25		2.32			
	32	4544	46.31		2.72			
	16	8872	90.43		0.90	EK 107	4P	469
	18	7956	81.09		1.01	EKA 107	4P	444
	20	7181	73.19		1.11	EKF 107	4P	479
	22	6516	66.41		1.23	EKAF107	4P	464
	26	5557	56.63	★	1.44			
	29	4889	49.83		1.64			
	35	4080	41.58		1.96			
	39	3637	37.07		1.98			
	44	3253	33.16		2.2			
	45	3163	32.24		2.2			
	51	2801	28.54		2.5			
	30	4751	48.42		0.91	EK 97	4P	344
	36	4023	41.01	★	1.07	EKA 97	4P	324
38	3759	38.31		1.14	EKF 97	4P	364	
43	3296	33.59		1.30	EKAF97	4P	349	
46	3092	31.51		1.39				
52	2730	27.82		1.58				
59	2418	24.64		1.78				
67	2146	21.87		2.0				
76	1895	19.31		2.3				
87	1644	16.76		2.6				
46	3082	31.41	★	0.88	EK 87	4P	264	
53	2701	27.53	★	1.00	EKA 87	4P	249	
60	2401	24.47	★	1.02	EKF 87	4P	269	
67	2151	21.92	★	1.14	EKAF87	4P	264	
74	1939	19.76	★	1.03				
85	1676	17.09		1.19				
90	1601	16.31		1.25				
104	1380	14.07	★	1.45				
119	1200	12.23		1.50				
128	1122	11.44		1.34				
146	984	10.03		1.52				
176	815	8.30		1.72				
199	720	7.34		1.80				
18.5	2.8	59919	525	0.80	EK 187ER 107	4P	2499	
	3.2	52888	463	0.90	EKA187ER 107	4P	2439	
	4.2	39698	348	1.20				

EK SERIES REDUCTOR

Power (kW)	Output speed (r/min)	Output torque (N · m)	Ratio (i)	Service factor (fB)	Type	Motor pole	Weight (kg)	
18.5	5.6	29998	263	1.58	EK 187ER107	4P	2499	
	6.7	24936	218	1.90	EKA187ER107	4P	2439	
	4.6	36699	321	0.83	EK 167ER107	4P	1779	
	5.3	31786	278	0.96	EKA 167ER107	4P	1739	
	5.9	28270	248	1.08				
	6.7	25086	220	1.21				
	7.1	23642	207	1.29				
	8.2	20482	179	1.48				
	9.4	17826	156	1.71				
	11	15017	132	2.0				
	13	12510	110	2.4				
	8.0	20994	184	0.81	EK 157ER107	4P	1279	
	9.6	17558	154	0.97	EKA 157ER107	4P	1239	
	12	13940	122	1.23	EKF 157ER107	4P	1359	
	13	12600	110	1.36	EKAF157ER107	4P	1299	
	8.4	20999	174.72	2.4	EK 187	4P	2289	
	9.0	19730	164.16	2.5	EKA187	4P	2229	
	10	17556	146.07	2.8				
	11	15760	131.13	3.2				
	11	15758	131.11	2.0	EK 167	4P	1569	
	13	13291	110.59	2.4	EKA 167	4P	1529	
	17	10355	86.16	3.1				
	8.9	19879	109.14	0.91	EK 157	6P	1121	
	9.9	17878	98.15	1.01	EKA 157	6P	1081	
	10	16992	93.29	1.06	EKF 157	6P	1201	
	12	14478	79.49	1.24	EKAF157	6P	1141	
	13	13625	74.80	1.32				
	12	14690	122.22	1.23	EK 157	4P	1069	
	13	13117	109.14	1.37	EKA 157	4P	1029	
	15	11797	98.15	1.53	EKF 157	4P	1149	
	16	11213	93.29	1.61	EKAF157	4P	1089	
	18	9553	79.49	1.88				
	20	8991	74.80	2.0				
	21	8475	70.51	2.1				
	25	7156	59.54	2.5				
	26	6780	56.41	2.7				
	28	6393	53.19	2.8				
	31	5630	46.84	3.2				
	35	4994	41.56	3.6				
	40	4457	37.08	4.0				
	13	13519	112.48	★	0.96	EK 127	4P	709
	16	10974	91.31	★	1.18	EKA 127	4P	679
18	9984	83.07		1.30	EKF 127	4P	749	
20	8747	72.78		1.49	EKAF127	4P	719	
24	7510	62.49		1.73				
27	6521	54.25		1.99				
32	5566	46.31		2.3				
34	5205	43.31		2.5				
36	4875	40.56		2.7				
41	4294	35.73		3.0				
47	3799	31.61		3.4				
49	3578	29.77		3.6				
52	3373	28.06		3.9				
20	8796	73.19		0.91	EK 107	4P	514	
22	7982	66.41		1.00	EKA 107	4P	489	
26	6807	56.63		1.18	EKF 107	4P	524	
30	5989	49.83		1.34	EKAF107	4P	509	
35	4998	41.58		1.60				
40	4455	37.07		1.80				
44	3985	33.16		2.0				
46	3875	32.24		1.86				
52	3430	28.54		2.1				
55	3234	26.91		2.2				

EK SERIES REDUCTOR

Power (kW)	Output speed (r/min)	Output torque (N·m)	Ratio (i)	Service factor (fB)	Type	Motor pole	Weight (kg)
18.5	65	2725	22.68	2.6	EK 107	4P	514
	74	2402	19.98	3.0	EKA 107	4P	489
	89	1987	16.53	3.5	EKF 107	4P	524
					EKAF107	4P	509
	36	4928	41.01	0.87	EK 97	4P	389
	38	4604	38.31	0.93	EKA 97	4P	369
	44	4037	33.59	1.07	EKF 97	4P	409
	47	3787	31.51	1.14	EKAF97	4P	394
	53	3344	27.82	1.29			
	60	2961	24.64	1.45			
	67	2628	21.87	1.64			
	76	2321	19.31	1.85			
	88	2014	16.76	2.1			
	107	1650	13.73	2.6			
	122	1454	12.10	2.6			
	60	2941	24.47	★ 0.85	EK 87	4P	309
	67	2634	21.92	★ 0.87	EKA 87	4P	294
	74	2375	19.76	★ 1.01	EKF 87	4P	314
	86	2054	17.09	★ 1.07	EKAF87	4P	309
	90	1961	16.31	★ 1.12			
104	1691	14.07	★ 1.30				
120	1470	12.23	★ 1.50				
129	1375	11.44	★ 1.09				
147	1206	10.03	★ 1.04				
177	998	8.30	1.25				
200	882	7.34	1.47				
22	3.2	62893	463	0.80	EK 187ER107	4P	2510
	4.2	47209	348	1.01	EKA187ER107	4P	2450
	5.6	35674	263	1.33			
	6.7	29653	218	1.60			
	7.6	26373	194	1.80			
	9.1	21846	161	2.2			
	5.3	37799	278	0.80	EK 167ER107	4P	1790
	5.9	33618	248	0.90	EKA 167ER107	4P	1750
	6.7	29833	220	1.02			
	7.1	28115	207	1.08			
	8.2	24357	179	1.25			
	9.4	21198	156	1.43			
	11	17858	132	1.70			
	13	14877	110	2.0			
	9.6	20880	154	0.82	EK 157ER107	4P	1290
	12	16578	122	1.03	EKA 157ER107	4P	1250
	13	14984	110	1.14	EKF 157ER107	4P	1370
					EKAF157ER107	4P	1310
	5.6	37843	174.72	1.32	EK 187	6P	2364
	5.9	35558	164.16	1.41	EKA187	6P	2304
	6.6	31639	146.07	1.58			
	7.4	28403	131.13	1.76			
	8.4	24971	174.72	2.0	EK 187	4P	2300
	9.0	23463	164.16	2.1	EKA187	4P	2240
	10	20878	146.07	2.4			
	11	18742	131.13	2.7			
	11	18739	131.11	1.71	EK 167	4P	1580
	13	15806	110.59	2.0	EKA 167	4P	1540
	17	12314	86.16	2.6			
	19	10918	76.39	2.9			
	9.9	21260	98.15	0.85	EK 157	6P	1144
	10.4	20207	93.29	0.89	EKA 157	6P	1104
12	17217	79.49	1.05	EKF 157	6P	1224	
13	16203	74.80	1.11	EKAF157	6P	1164	
14	15273	70.51	1.18				
16	12897	59.54	1.40				

EK SERIES REDUCTOR

Power (kW)	Output speed (r/min)	Output torque (N · m)	Ratio (i)	Service factor (fB)	Type	Motor pole	Weight (kg)	
22	12	17469	122.22	1.03	EK 157	4P	1080	
	13	15599	109.14	1.15		EKA 157	4P	1040
	15	14029	98.15	1.28		EKF 157	4P	1160
	16	13334	93.29	1.35		EKAF157	4P	1100
	18	11361	79.49	1.58				
	20	10692	74.80	1.68				
	21	10078	70.51	1.79				
	25	8510	59.54	2.1				
	26	8062	56.41	2.2				
	28	7602	53.19	2.4				
	31	6695	46.84	2.7				
	35	5939	41.56	3.0				
	40	5300	37.08	3.4				
		16	13050	91.31	★ 1.00	EK 127	4P	720
		18	11873	83.07	1.09	EKA 127	4P	690
		20	10402	72.78	1.25	EKF 127	4P	760
		24	8931	62.49	1.46	EKAF127	4P	730
		27	7754	54.25	1.68			
		32	6620	46.31	1.96			
		34	6190	43.31	2.1			
		36	5797	40.56	2.2			
		41	5107	35.73	2.5			
		47	4518	31.61	2.9			
		49	4255	29.77	3.1			
		52	4011	28.06	3.2			
		58	3623	25.35	3.6			
		62	3394	23.74	3.8			
		70	2989	20.91	4.3			
		26	8094	56.63	0.99	EK 107	4P	525
		30	7122	49.83	1.05	EKA 107	4P	500
		35	5943	41.58	1.18	EKF 107	4P	535
		40	5298	37.07	1.32	EKAF107	4P	520
		44	4739	33.16	1.48			
		46	4608	32.24	1.52			
		52	4079	28.54	1.72			
		55	3846	26.91	1.82			
		65	3241	22.68	2.1			
		74	2856	19.98	2.4			
		89	2363	16.53	2.9			
		100	2097	14.67	3.2			
	112	1869	13.08	2.2				
	126	1672	11.70	2.5				
	151	1396	9.77	2.9				
	47	4504	31.51	0.95	EK 97	4P	400	
	53	3976	27.82	1.03	EKA 97	4P	380	
	60	3522	24.64	1.16	EKF 97	4P	420	
	67	3125	21.87	1.31	EKAF97	4P	405	
	76	2760	19.31	1.49				
	88	2395	16.76	1.71				
	107	1962	13.73	2.1				
	122	1729	12.10	2.3				
	137	1529	10.70	1.90				
	164	1277	8.94	2.1				
	74	2825	19.76	★ 0.85	EK 87	4P	320	
	86	2442	17.09	★ 0.98	EKA 87	4P	305	
	90	2331	16.31	★ 1.03	EKF 87	4P	325	
	104	2011	14.07	★ 1.09	EKAF87	4P	320	
	120	1749	12.23	0.94				
	129	1635	11.44	1.01				
	147	1434	10.03	1.05				
	177	1187	8.30	1.18				
	200	1049	7.34	1.24				
30	5.6	48646	263	0.98	EK 187ER 107	4P	2580	
	6.7	40436	218	1.17		EKA187ER 107	4P	2520
	7.6	35964	194	1.32				
	9.1	29791	161	1.59				

EK SERIES REDUCTOR

Power (kW)	Output speed (r/min)	Output torque (N · m)	Ratio (i)	Service factor (fB)	Type	Motor pole	Weight (kg)	
30	6.7	40681	220	0.80	EK 167ER 107	4P	1860	
	7.1	38338	207	0.80		EKA 167ER 107	4P	1820
	8.2	33214	179	0.92				
	9.4	28906	156	1.05				
	11	24352	132	1.25				
	13	20287	110	1.50				
	8.4	34052	174.72	1.47	EK 187	4P	2370	
	9.0	31995	164.16	1.56		EKA187	4P	2310
	10	28470	146.07	1.76				
	11	25557	131.13	1.96				
	13	22028	113.03	2.3				
	14	20096	103.11	2.5				
	17	16956	87.00	2.9				
	13	21554	110.59	1.48	EK 167	4P	1650	
	17	16792	86.16	1.91		EKA 167	4P	1610
	19	14888	76.39	2.1				
	22	13288	68.18	2.4				
	24	11925	61.19	2.7				
	15	19130	98.15	0.94	EK 157	4P	1150	
	16	18183	93.29	0.99		EKA 157	4P	1110
18	15492	79.49	1.16	EKF 157		4P	1230	
20	14579	74.80	1.23	EKAF157		4P	1170	
21	13743	70.51	1.31					
23	12263	62.92	1.47					
25	11605	59.54	1.55					
28	10367	53.19	1.74					
31	9130	46.84	1.97					
35	8099	41.56	2.2					
40	7227	37.08	2.5					
42	6839	35.09	2.6					
47	6106	31.33	2.9					
20	14185	72.78	★	0.92	EK 127	4P	790	
24	12179	62.49	★	1.07		EKA 127	4P	760
27	10574	54.25		1.23		EKF 127	4P	830
32	9027	46.31		1.44		EKAF127	4P	800
34	8441	43.31		1.54				
36	7905	40.56		1.64				
41	6963	35.73		1.87				
47	6161	31.61		2.1				
49	5803	29.77		2.2				
52	5469	28.06		2.4				
58	4941	25.35		2.6				
62	4628	23.74		2.8				
70	4076	20.91		3.2				
35	8105	41.58		0.99	EK 107	4P	595	
40	7225	37.07		1.11		EKA 107	4P	570
44	6462	33.16		1.24		EKF 107	4P	605
46	6284	32.24		1.27		EKAF107	4P	590
52	5563	28.54		1.44				
55	5244	26.91		1.53				
65	4420	22.68		1.63				
74	3895	19.98		1.85				
89	3222	16.53		2.2				
100	2860	14.67		2.4				
112	2549	13.08		1.57				
126	2280	11.70		1.75				
151	1903	9.77		2.1				
173	1652	8.48		2.4				
60	4802	24.64		0.90	EK 97	4P	470	
67	4262	21.87		1.01		EKA 97	4P	450
76	3763	19.31		1.14		EKF 97	4P	490
88	3266	16.76		1.32		EKAF97	4P	475
107	2675	13.73		1.61				

EK SERIES REDUCTOR

Power (kW)	Output speed (r/min)	Output torque (N · m)	Ratio (i)	Service factor (fB)	Type	Motor pole	Weight (kg)
30	122	2357	12.10	1.61	EK 97	4P	470
	137	2085	10.70	1.34	EKA 97	4P	450
	164	1742	8.94	1.61	EKF 97	4P	490
					EKAF97	4P	475
37	5.6	59793	263	0.80	EK 187ER107	4P	2600
	6.8	49702	218	0.96	EKA187ER107	4P	2540
	7.6	44205	194	1.07			
	9.2	36617	161	1.30			
	8.2	40825	179	0.80	EK 167ER 107	4P	1880
	9.4	35530	156	0.86	EKA 167ER 107	4P	1840
	11	29932	132	1.02			
	13	24936	110	1.22			
	8.4	41855	174.72	1.19	EK 187	4P	2390
	9.0	39327	164.16	1.27	EKA 187	4P	2330
	10	34993	146.07	1.43			
	11	31414	131.13	1.59			
	13	27076	113.03	1.85			
	14	24701	103.11	2.0			
	17	20842	87.00	2.4			
	13	26493	110.59	1.21	EK 167	4P	1670
	17	20640	86.16	1.55	EKA 167	4P	1630
	19	18299	76.39	1.75			
	22	16333	68.18	1.96			
	24	14657	61.19	2.2			
	30	11666	48.70	2.7			
	16	22349	93.29	0.81	EK 157	4P	1170
	19	19042	79.49	0.95	EKA 157	4P	1130
	20	17920	74.80	1.00	EKF 157	4P	1250
	21	16892	70.51	1.07	EKAF157	4P	1190
	23	15073	62.92	1.19			
	25	14264	59.54	1.26			
	28	12742	53.19	1.41			
	31	11222	46.84	1.60			
	35	9955	41.56	1.81			
	40	8883	37.08	2.0			
	42	8406	35.09	2.1			
	47	7505	31.33	2.4			
	24	14970	62.49	0.87	EK 127	4P	810
	27	12997	54.25	1.00	EKA 127	4P	780
	32	11095	46.31	1.17	EKF 127	4P	850
	34	10375	43.31	1.25	EKAF127	4P	820
36	9717	40.56	1.34				
41	8559	35.73	1.52				
47	7573	31.61	1.72				
50	7133	29.77	1.82				
53	6723	28.06	1.93				
58	6073	25.35	2.1				
62	5688	23.74	2.3				
71	5010	20.91	2.6				
85	4175	17.43	3.1				
92	3848	16.06	3.2				
104	3389	14.15	3.5				
118	2999	12.52	2.8				
141	2510	10.48	3.2				
167	2111	8.81	3.4				
40	8880	37.07	0.81	EK 107	4P	615	
44	7943	33.16	0.91	EKA 107	4P	590	
46	7724	32.24	0.88	EKF 107	4P	625	
52	6838	28.54	1.05	EKAF107	4P	610	
55	6446	26.91	1.12				
65	5432	22.68	1.33				
74	4787	19.98	1.50				
89	3960	16.53	1.77				
101	3515	14.67	1.96				

EK SERIES REDUCTOR

Power (kW)	Output speed (r/min)	Output torque (N · m)	Ratio (i)	Service factor (fB)	Type	Motor pole	Weight (kg)
37	113	3133	13.08	1.37	EK 107	4P	615
	126	2803	11.70	1.53	EKA 107	4P	590
	151	2340	9.77	1.79	EKF 107	4P	625
	174	2031	8.48	2.0	EKAF107	4P	610
45	6.8	60449	218	0.80	EK 187 ER107	4P	2655
	7.6	53763	194	0.88	EKA187 ER107	4P	2595
	9.2	44534	161	1.07			
	11	36404	132	0.84	EK 167ER 107	4P	1935
	13	30327	110	1.00	EKA 167ER 107	4P	1895
	8.4	50905	174.72	0.98	EK 187	4P	2445
	9.0	47830	164.16	1.05	EKA 187	4P	2385
	10	42560	146.07	1.17			
	11	38206	131.13	1.31			
	13	32931	113.03	1.52			
	14	30042	103.11	1.66			
	17	25348	87.00	1.97			
	20	21697	74.47	2.3			
	13	32221	110.59	0.99	EK 167	4P	1725
	17	25103	86.16	1.27	EKA 167	4P	1685
	19	22256	76.39	1.44			
	22	19864	68.18	1.61			
	24	17827	61.19	1.80			
	30	14189	48.70	2.3			
	35	12290	42.18	2.6			
	21	20544	70.51	0.88	EK 157	4P	1225
	23	18332	62.92	0.98	EKA 157	4P	1185
	25	17349	59.54	1.04	EKF 157	4P	1305
	28	15498	53.19	1.16	EKAF157	4P	1245
	31	13648	46.84	1.32			
	35	12107	41.56	1.49			
	40	10804	37.08	1.67			
	42	10224	35.09	1.76			
47	9128	31.33	1.97				
53	8069	27.70	2.2				
63	6787	23.30	2.7				
67	6423	22.05	2.8				
78	5477	18.80	3.3				
32	13494	46.31	0.96	EK 127	4P	865	
34	12618	43.31	1.03	EKA 127	4P	835	
36	11818	40.56	1.10	EKF 127	4P	905	
41	10410	35.73	1.25	EKAF127	4P	875	
47	9210	31.61	1.41				
50	8675	29.77	1.50				
53	8176	28.06	1.59				
58	7386	25.35	1.76				
62	6918	23.74	1.88				
71	6094	20.91	2.1				
85	5078	17.43	2.6				
92	4679	16.06	2.7				
104	4122	14.15	2.9				
118	3647	12.52	2.3				
141	3053	10.48	2.6				
167	2568	8.81	2.8				
52	8316	28.54	0.87	EK 107	4P	670	
55	7839	26.91	0.92	EKA 107	4P	645	
65	6607	22.68	1.09	EKF 107	4P	680	
74	5822	19.98	1.24	EKAF107	4P	665	
89	4816	16.53	1.46				
101	4275	14.67	1.59				
113	3811	13.08	1.12				
126	3409	11.70	1.25				
151	2845	9.77	1.46				
174	2470	8.48	1.62				

EK SERIES REDUCTOR

Power (kW)	Output speed (r/min)	Output torque (N · m)	Ratio (i)	Service factor (fB)	Type	Motor pole	Weight (kg)	
55	10	51841	146.07	0.96	EK 187 EKA 187	4P	2560	
	11	46538	131.13	1.07		4P	2500	
	13	40113	113.03	1.25				
	14	36594	103.11	1.37				
	17	30876	87.00	1.62				
	20	26429	74.47	1.89				
	23	22871	64.44	2.2				
	17	30578	86.16	1.05	EK 167 EKA 167	4P	1840	
	19	27109	76.39	1.18		4P	1800	
	22	24196	68.18	1.32				
	24	21715	61.19	1.47				
	30	17283	48.70	1.85				
	35	14971	42.18	2.1				
	44	11815	33.29	2.7				
	24	22330	62.92	0.81	EK 157 EKA 157 EKF 157 EKAF157	4P	1340	
	25	21132	59.54	0.85		4P	1300	
	28	18877	53.19	0.95		4P	1420	
	32	16625	46.84	1.08		4P	1360	
	36	14748	41.56	1.22				
	40	13160	37.08	1.37				
	42	12454	35.09	1.45				
	47	11118	31.33	1.62				
	53	9829	27.70	1.83				
	64	8268	23.30	2.2				
	67	7824	22.05	2.3				
	79	6671	18.80	2.7				
	99	5318	14.98	3.4				
	114	4596	12.95	3.9				
	36	14395	40.56	0.90	EK 127 EKA 127 EKF 127 EKAF127	4P	980	
	41	12680	35.73	1.03		4P	950	
	47	11219	31.61	1.16		4P	1020	
	50	10567	29.77	1.23		4P	990	
	53	9959	28.06	1.31				
	58	8997	25.35	1.44				
	62	8426	23.74	1.54				
	71	7422	20.91	1.75				
	85	6185	17.43	2.1				
	92	5700	16.06	2.2				
	105	5021	14.15	2.4				
	118	4442	12.52	1.91				
	141	3719	10.48	2.2				
	168	3127	8.81	2.3				
	75	11	63461	131.13	0.80	EK 187 EKA 187	4P	2644
		13	54699	113.03	0.91		4P	2584
14		49901	103.11	1.00				
17		42104	87.00	1.19				
20		36040	74.47	1.39				
23		31188	64.44	1.60				
28		25493	52.68	1.96				
32		22455	46.40	2.2				
19		36967	76.39	0.87	EK 167 EKA 167	4P	1924	
22		32995	68.18	0.97		4P	1884	
24		29611	61.19	1.08				
30		23568	48.70	1.36				
35		20415	42.18	1.57				
44		16111	33.29	1.99				
51		13956	28.84	2.3				
59		12145	25.10	2.6				
40		17945	37.08	1.00	EK 157 EKA 157 EKF 157 EKAF157	4P	1424	
42		16983	35.09	1.06		4P	1384	
47		15162	31.33	1.19		4P	1504	
53		13404	27.70	1.34		4P	1444	
64		11274	23.30	1.60				
67		10669	22.05	1.69				
79		9097	18.80	1.98				
99		7251	14.98	2.5				
114		6267	12.95	2.9				

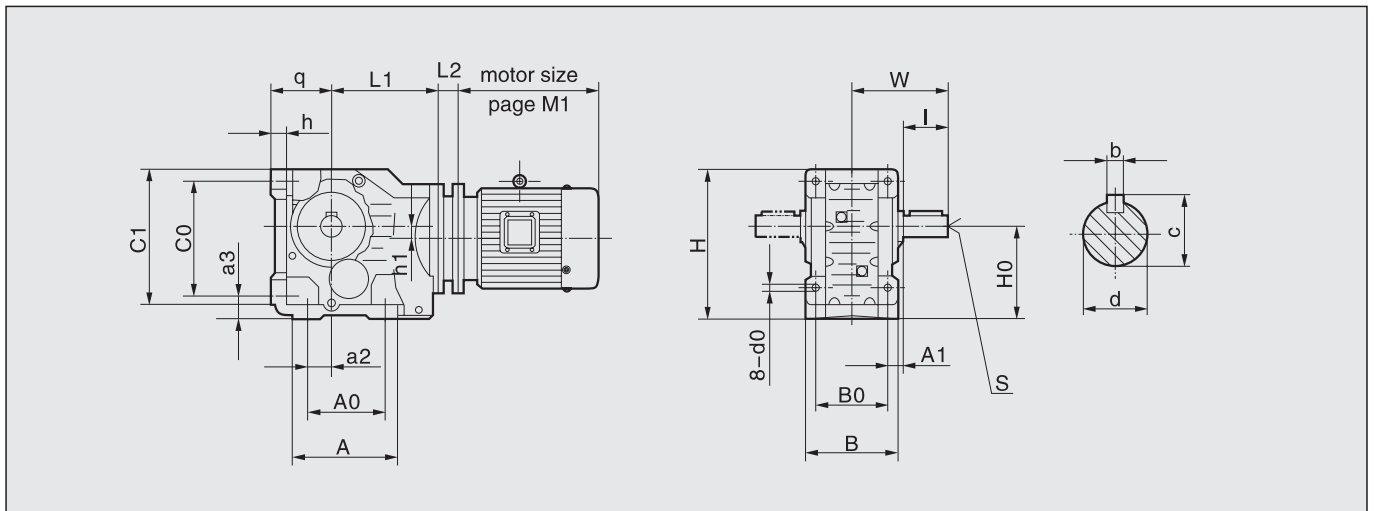
EK SERIES REDUCTOR

Power (kW)	Output speed (r/min)	Output torque (N · m)	Ratio (i)	Service factor (fB)	Type	Motor pole	Weight (kg)			
75	47	15299	31.61	0.85	EK 127 EKA 127 EKF 127 EKAF127	4P	1064			
	50	14409	29.77	0.90						
	53	13581	28.06	0.96						
	58	12269	25.35	1.06						
	62	11491	23.74	1.13						
	71	10122	20.91	1.28						
	85	8435	17.43	1.54						
	92	7773	16.06	1.61						
	105	6847	14.15	1.75						
	118	6058	12.52	1.40						
	141	5072	10.48	1.58						
168	4265	8.81	1.70							
90	17	50525	87.00	0.99	EK 187 EKA 187	4P	2702			
	20	43247	74.47	1.16						
	23	37426	64.44	1.34						
	28	30591	52.68	1.63						
	32	26946	46.40	1.86						
	34	25334	43.62	1.97						
	38	22455	38.67	2.2						
	24	35533	61.19	0.90				EK 167 EKA 167	4P	1982
	30	28281	48.70	1.13						
	35	24498	42.18	1.31						
	44	19334	33.29	1.66						
	51	16747	28.84	1.91						
	59	14575	25.10	2.2						
	71	12143	20.91	2.6						
	88	9809	16.89	3.1						
	40	21534	37.08	0.84	EK 157 EKA 157 EKF 157 EKAF157	4P	1482			
	42	20379	35.09	0.88						
	47	18194	31.33	0.99						
	53	16084	27.70	1.12						
	64	13529	23.30	1.33						
	67	12803	22.05	1.41						
	79	10916	18.80	1.65						
	99	8701	14.98	2.1						
	114	7520	12.95	2.2						
	62	13789	23.74	0.94				EK 127 EKA 127 EKF 127 EKAF127	4P	1122
	71	12146	20.91	1.07						
	85	10122	17.43	1.28						
	92	9327	16.06	1.29						
	105	8216	14.15	1.46						
	118	7269	12.52	1.17						
	141	6086	10.48	1.31						
	168	5118	8.81	1.41						
	110	17	61752	87.00	0.81	EK 187 EKA 187	4P			
20		52858	74.47	0.95						
23		45742	64.44	1.09						
28		37390	52.68	1.34						
32		32935	46.40	1.52						
34		30964	43.62	1.61						
38		27445	38.67	1.82						
45		23490	33.09	2.1						
54		19453	27.41	2.6						
30		34566	48.70	0.93	EK 167 EKA 167			4P	2320	
35		29942	42.18	1.07						
44		23630	33.29	1.35						
44		23630	33.29	1.35						
51		20469	28.84	1.56						
59		17813	25.10	1.80						
71		14845	20.91	2.2						
88		11991	16.89	2.7						

EK SERIES REDUCTOR

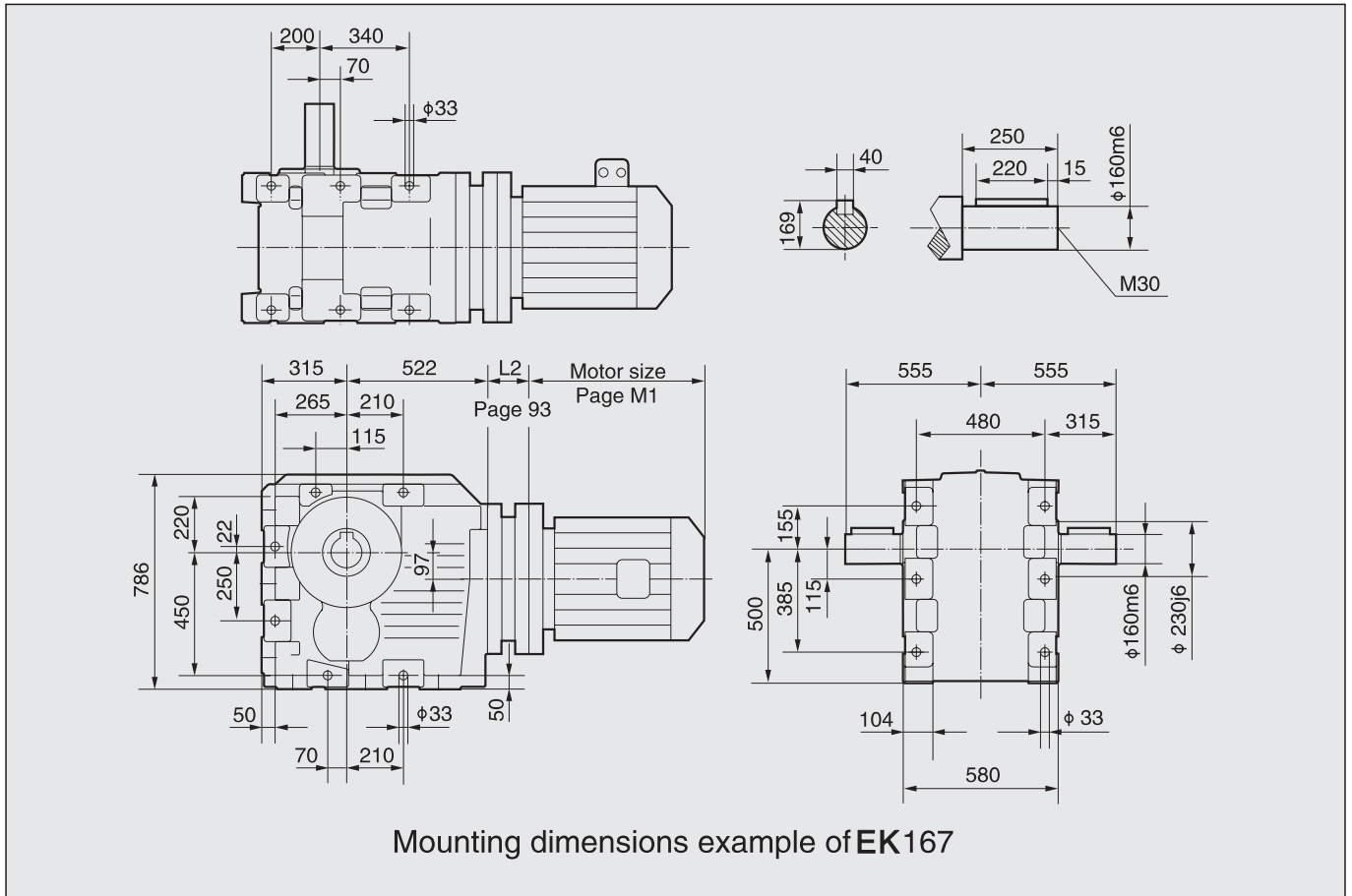
Power (kW)	Output speed (r/min)	Output torque (N · m)	Ratio (i)	Service factor (fB)	Type	Motor pole	Weight (kg)
110	53	19659	27.70	0.92	EK 157	4P	1820
	64	16535	23.30	1.09	EKA 157	4P	1780
	67	15648	22.05	1.15	EKF 157	4P	1900
	79	13342	18.80	1.35	EKAF157	4P	1840
	99	10635	14.98	1.69			
	114	9191	12.95	1.85			
132	20	63430	74.47	0.80	EK 187	4P	3140
	23	54891	64.44	0.91	EKA 187	4P	3080
	28	44867	52.68	1.11			
	32	39522	46.40	1.27			
	34	37157	43.62	1.35			
	38	32935	38.67	1.52			
	45	28188	33.09	1.77			
	54	23344	27.41	2.1			
	61	20691	24.29	2.3			
	71	17709	20.79	2.5			
	86	14665	17.22	2.8			
	35	35930	42.18	0.89	EK 167	4P	2420
	44	28356	33.29	1.13	EKA 167	4P	2380
	51	24562	28.84	1.30			
	59	21376	25.10	1.50			
	71	17814	20.91	1.80			
	88	14389	16.89	2.2			
	64	19842	23.30	0.91	EK 157	4P	1920
67	18778	22.05	0.96	EKA 157	4P	1880	
79	16011	18.80	1.12	EKF 157	4P	2000	
99	12762	14.98	1.41	EKAF157	4P	1940	
114	11030	12.95	1.54				
160	28	54385	52.68	0.92	EK 187	4P	3260
	32	47905	46.40	1.04	EKA 187	4P	3200
	34	45039	43.62	1.11			
	38	39921	38.67	1.25			
	45	34167	33.09	1.46			
	54	28295	27.41	1.77			
	61	25080	24.29	1.99			
	71	21465	20.79	2.3			
	86	17776	17.22	2.8			
	44	34371	33.29	0.93	EK 167	4P	2440
	51	29773	28.84	1.07	EKA 167	4P	2400
	59	25910	25.10	1.24			
	71	21593	20.91	1.48			
	88	17441	16.89	1.83			
	79	19407	18.80	0.93	EK 157	4P	1940
	99	15469	14.98	1.16	EKA 157	4P	1900
	114	13369	12.95	1.35	EKF 157	4P	2020
					EKAF157	4P	1960
200	32	59881	46.40	0.83	EK 187	4P	3210
	34	56298	43.62	0.89	EKA 187	4P	3150
	38	49901	38.67	1.00			
	45	42709	33.09	1.17			
	54	35369	27.41	1.41			
	61	31350	24.29	1.52			
	71	26831	20.79	1.62			
	86	22220	17.22	1.85			
	59	32388	25.10	0.99	EK 167	4P	2490
	71	26992	20.91	1.19	EKA 167	4P	2450
	88	21801	16.89	1.47			
	99	19336	14.98	0.93	EK 157	4P	1990
	114	16711	12.95	1.02	EKA 157	4P	1950
					EKF 157	4P	2070
					EKAF157	4P	2010

EK SERIES REDUCTOR

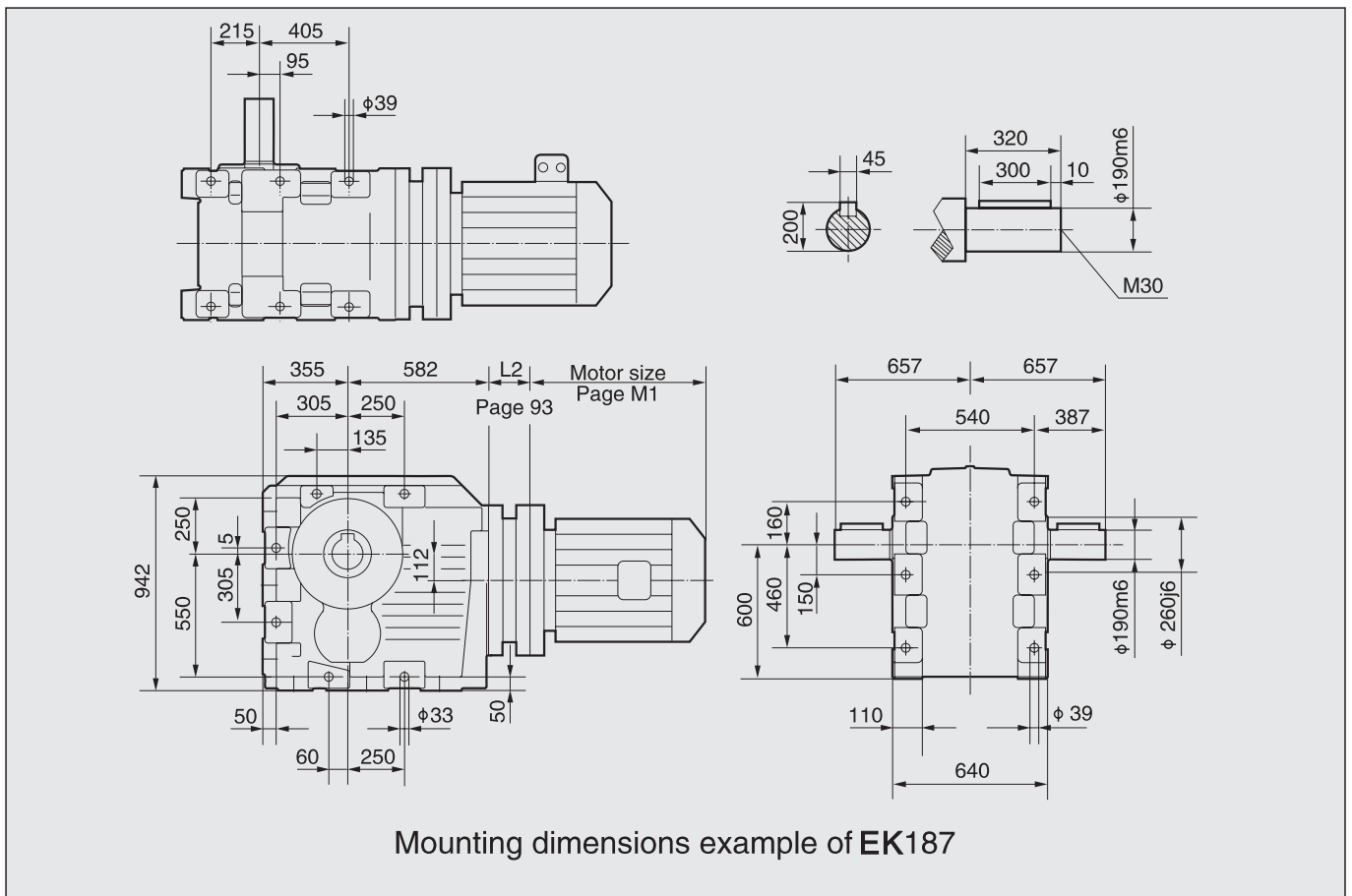


Type	Installation dimensions					Shaft dimensions				Overall dimensions				
	H0	B0 A0	C0 a2	a3 q	A1 d0	d	l	S	b c	B H	L1 h	W h1	A C1	L2
EK37	100	100	115	32	10	25k6	50	M10	8	120	142	110	150	page93
		110	28	63	11				28	165	16	7	145	
EK47	112	120	130	37	15	30k6	60	M10	8	145	166	135	165	
		130	35	71	11				33	186	18	6.3	170	
EK57	132	130	150	45	18	35k6	70	M12	10	157	175	153	172	
		130	30	80	13.5				38	217	21	16.1	190	
EK67	140	140	160	45	21	40k6	80	M16	12	170	179	171	175	
		120	30	90	13.5				43	228	24	20	203	
EK77	180	165	200	55	23.5	50k6	100	M16	14	200	202	206	205	
		150	40	112	18				53.5	288	27	31.3	263	
EK87	212	180	233	70	30	60m6	120	M20	18	230	257	240	255	
		180	55	132	22				64	340	32	25.9	311	
EK97	265	240	295	75	31	70m6	140	M20	20	290	277	291	320	
		240	75	160	26				74.5	414	36	32.3	372	
EK107	315	270	360	95	42	90m6	170	M24	25	340	354	347	390	
		280	95	200	33				95	505	40	53.5	455	
EK127	375	330	420	110	43	110m6	210	M24	28	400	390	418	460	
		350	115	225	39				116	592	45	57.2	526	
EK157	450	420	500	130	37	120m6	210	M24	32	500	426	457	495	
		380	140	280	39				127	705	50	77	634	

EK SERIES REDUCTOR

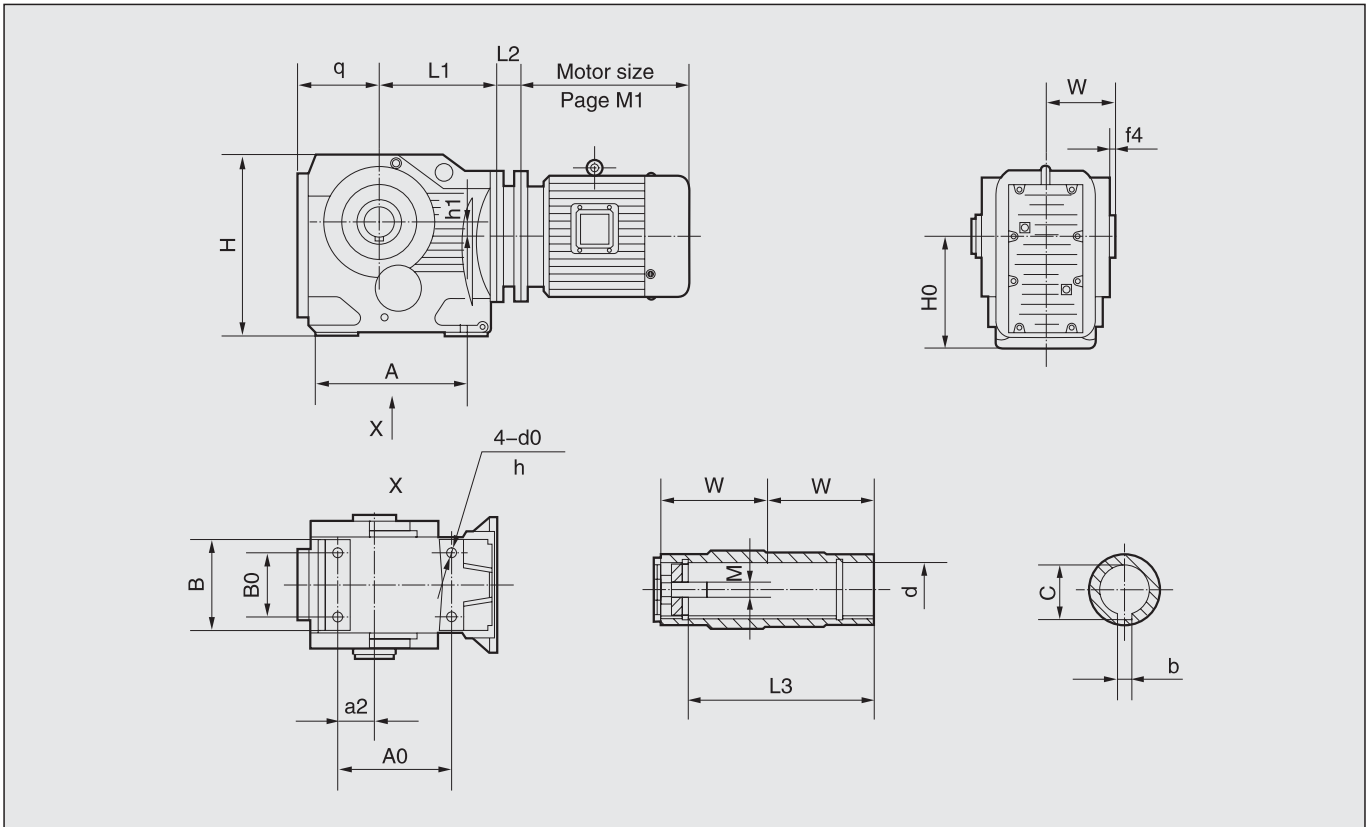


Mounting dimensions example of EK167



Mounting dimensions example of EK187

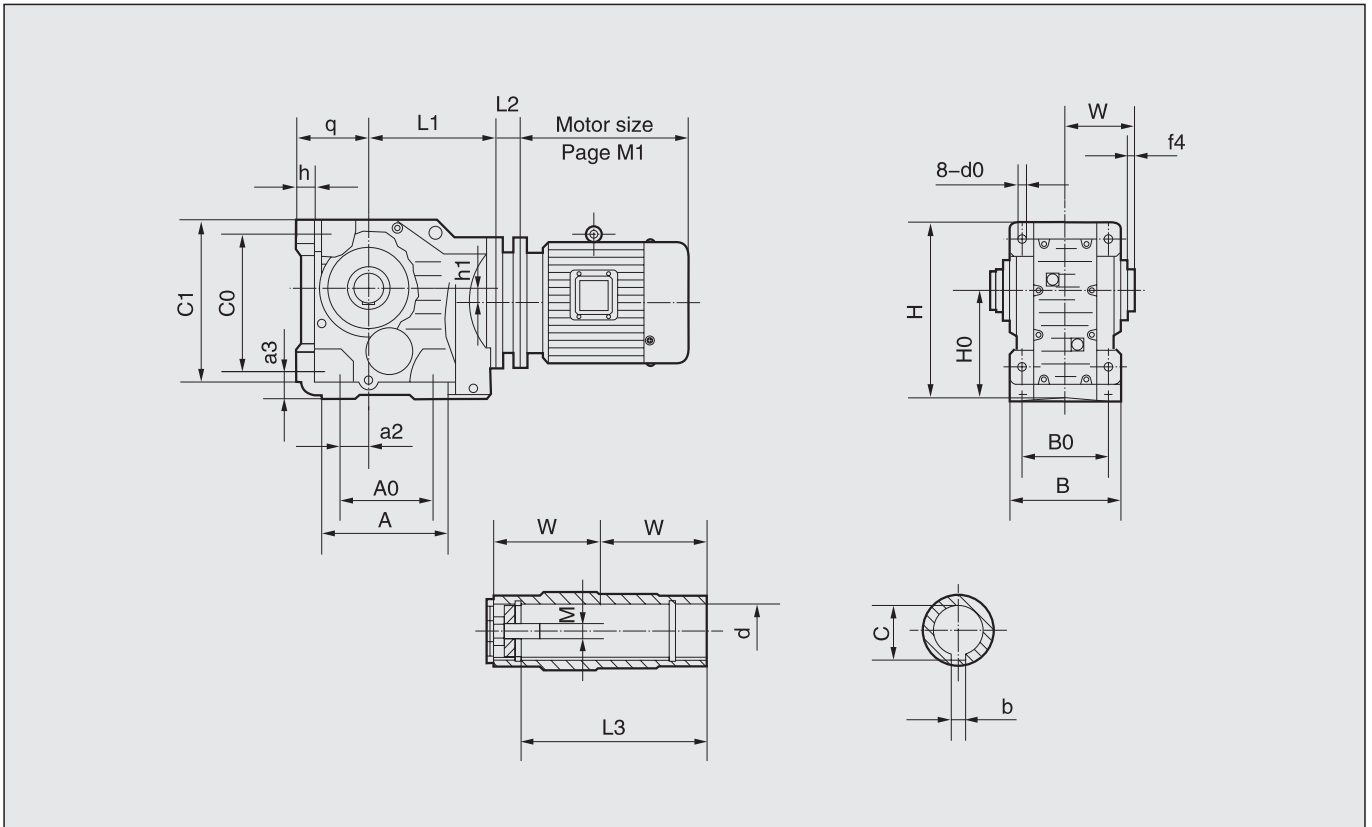
EK SERIES REDUCTOR



Type	Installation dimensions					Shaft dimensions				Overall dimensions				
	H0	B0 a2	A0	d0 h	d	b c	L3	M	B	q L1	H	W f4	h1 A	L2
EKA37	100	60	117	M10	30H7	8	105	M10	95	71	165	60	7	
		35		20		33.3				142		2.5	147	
EKA47	112	70	140	M10	35H7	10	130	M12	108	75	185	75	6.3	
		40		20		38.3				166		2.5	175	
EKA57	132	88	152	M12	40H7	12	142	M16	122	96	215	83	16.1	
		47		20		43.3				175		3	182	
EKA67	140	88	152	M12	40H7	12	156	M16	124	94	228	90	20	
		42		25		43.3				179		3.5	207	
EKA77	180	102	170	M16	50H7	14	183	M16	146	109	288	105	31.3	
		48		32		53.8				202		4	225	
EKA87	212	118	225	M16	60H7	18	210	M20	190	132	340	120	25.9	
		65		32		64.4				257		4	300	
EKA97	265	160	248	M20	70H7	20	270	M20	240	158	414	150	32.3	
		83		36		74.9				277		4	328	
EKA107	315	190	290	M24	90H7	25	310	M24	266	199	505	175	52.3	
		100		44		95.4				354		2.5	400	

page 93

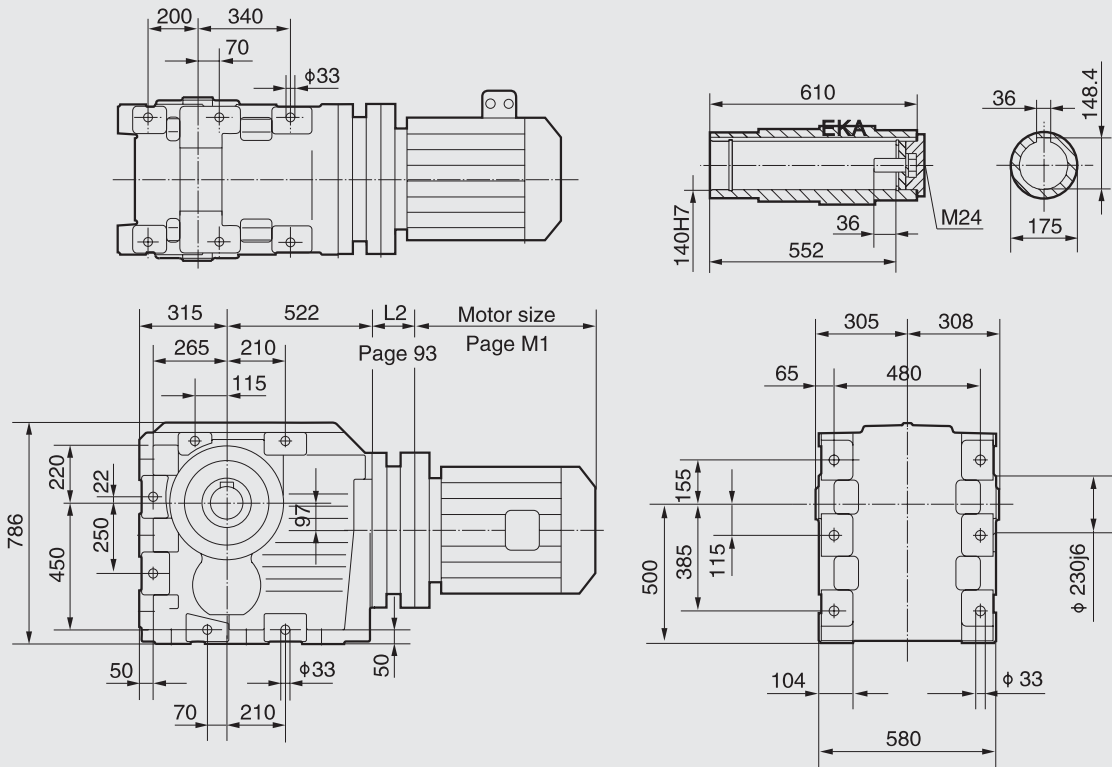
EK SERIES REDUCTOR



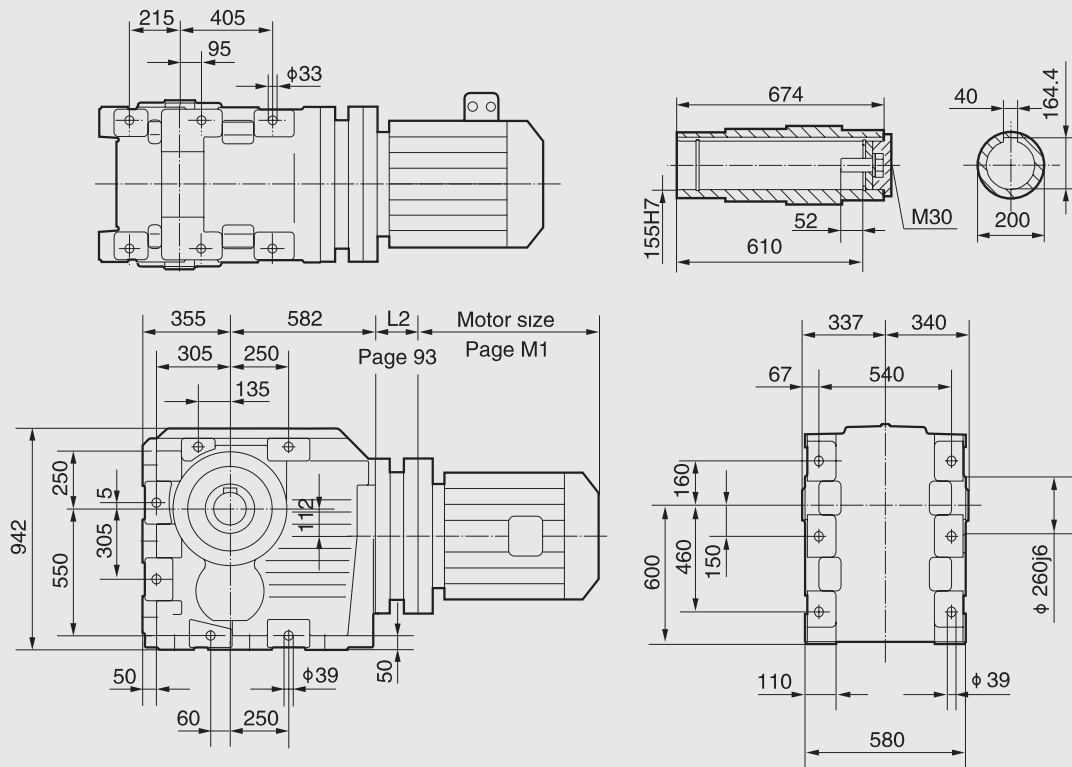
Type	Installation dimensions					Shaft dimensions				Overall dimensions						
	H0	B0 A0	C0 a2	a3 q	d0	d	b c	L3	M	B L1	H	W f4	h1	A C1	h	L2
EKA127	375	330	420	110	39	100H7	28	370	M24	400	592	205	57.2	460	45	page 93
		350	115	225			106.4			390		2.5		526		
EKA157	450	420	500	130	39	120H7	32	457	M24	500	705	250	77	495	50	
		380	140	280			127.4			426		6		634		

Note: The housing is the same to EK

EK SERIES REDUCTOR



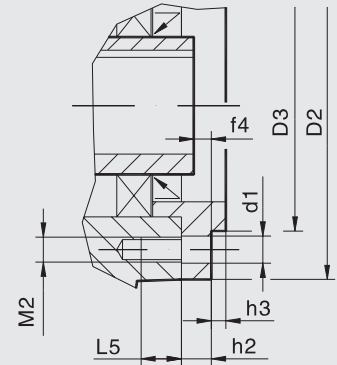
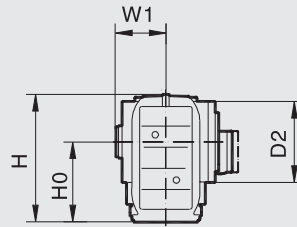
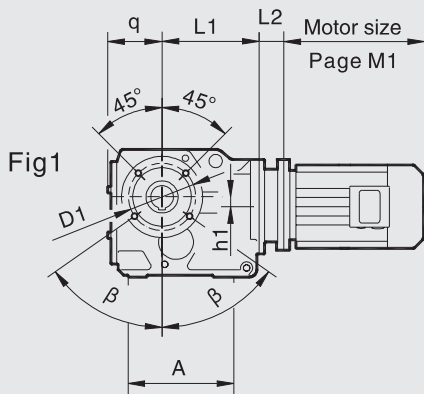
Mounting dimensions example of EKA167



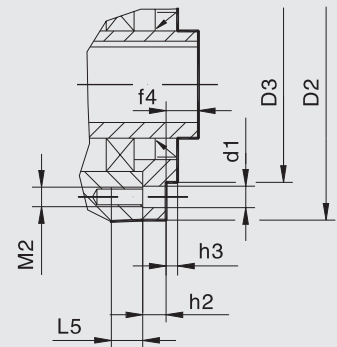
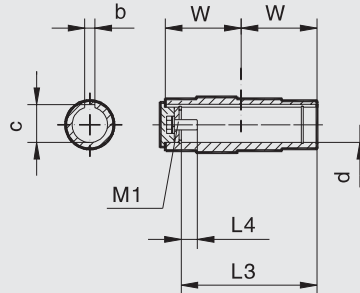
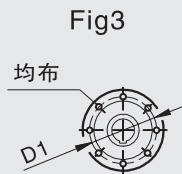
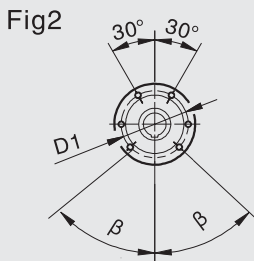
Mounting dimensions example of EKA187

EK SERIES REDUCTOR

EKAZ37-87, EKAZ127

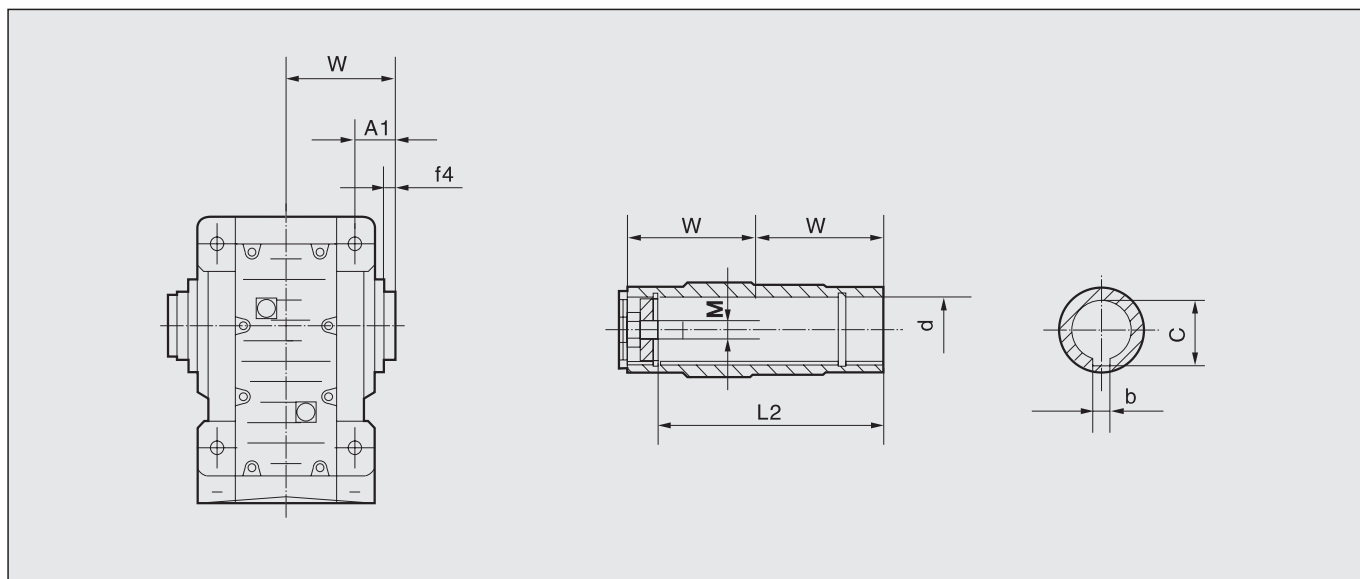


EKAZ97-107, EKAZ157



Type	Installation dimensions							Shaft dimensions				Overall dimensions					
	H0	D1	Fig β	f4	L5	h2 h3	M2 d1	d	b c	L3 L4	M1	A h1	q L1	H W1	D2 D3	W	L2
EKAZ37	100	94	1 53°	9	12	11.5 3	M8 9	30H7	8 33.3	105 17	M10X25-8.8	147 7	71 142	165 63	110 80j6	60	page 93
EKAZ47	112	102	1 50°	8.5	17	11 3	M10 11	35H7	10 38.3	130 22	M12X30-8.8	175 6.3	75 166	185 78	120 80j6	75	
EKAZ57	132	125	2 47°	9	20	12 3.5	M12 13.5	40H7	12 43.3	142 29	M16X40-8.8	192 16.1	96 175	215 86	155 105j6	83	
EKAZ67	140	125	1 45°	8.5	20	12 3.5	M12 13.5	40H7	12 43.3	156 29	M16X40-8.8	207 20	94 179	228 94	150 105j6	90	
EKAZ77	180	142	2 40°	10	20	14 3.5	M12 13.5	50H7	14 53.8	183 32	M16X45-8.8	225 31.3	109 202	288 108	170 125j6	105	
EKAZ87	212	178	2 45°	11	22	15 4	M16 17.5	60H7	18 64.4	210 36	M20X50-8.8	300 25.9	132 257	340 123	215 155j6	120	
EKAZ97	265	200	2 30°	8	25	18 4	M16 17.5	70H7	20 74.9	270 34	M20X50-8.8	328 32.3	158 277	414 153	250 160j6	150	
EKAZ107	315	255	3 —	0.5	24	22 4	M16 17.5	90H7	25 95.4	310 40	M24X60-8.8	400 53.5	199 354	505 178	300 210j6	175	
EKAZ127	375	300	3 —	5	25	30 5	M16 17.5	100H7	28 106.4	370 38	M24X60-8.8	460 57.2	225 390	592 208	350 250h6	205	
EKAZ157	450	340	3 —	4	32	28 5	M20 22	120H7	32 127.4	457 36	M24X60-8.8	495 77	280 426	705 253	400 290h6	250	

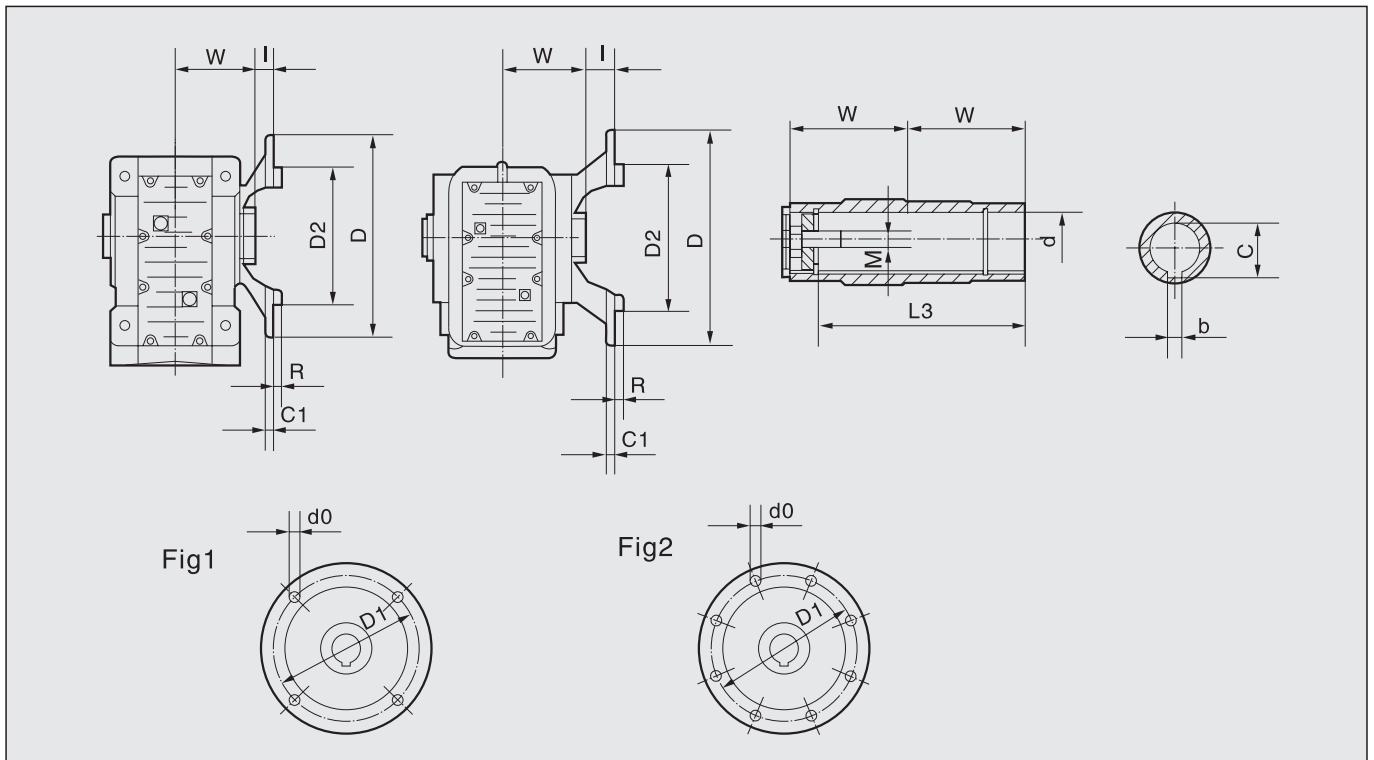
EK SERIES REDUCTOR



Type	W	f4	A1	M	d	c	b	L2
EKAB47	75	2.5	15	M12	35H7	38.3	10	130
EKAB57	83	3	18	M16	40H7	43.3	12	142
EKAB67	90	3.5	20	M16	40H7	43.3	12	156
EKAB77	105	4	22.5	M16	50H7	53.8	14	183
EKAB87	120	4	30	M20	60H7	64.4	18	210
EKAB97	150	4	30	M20	70H7	74.9	20	270
EKAB107	175	2.5	40	M24	90H7	95.4	25	310
EKAB127	Same as EKAB							
EKAB157	Same as EKAB							

Note: The other size refers to page 138

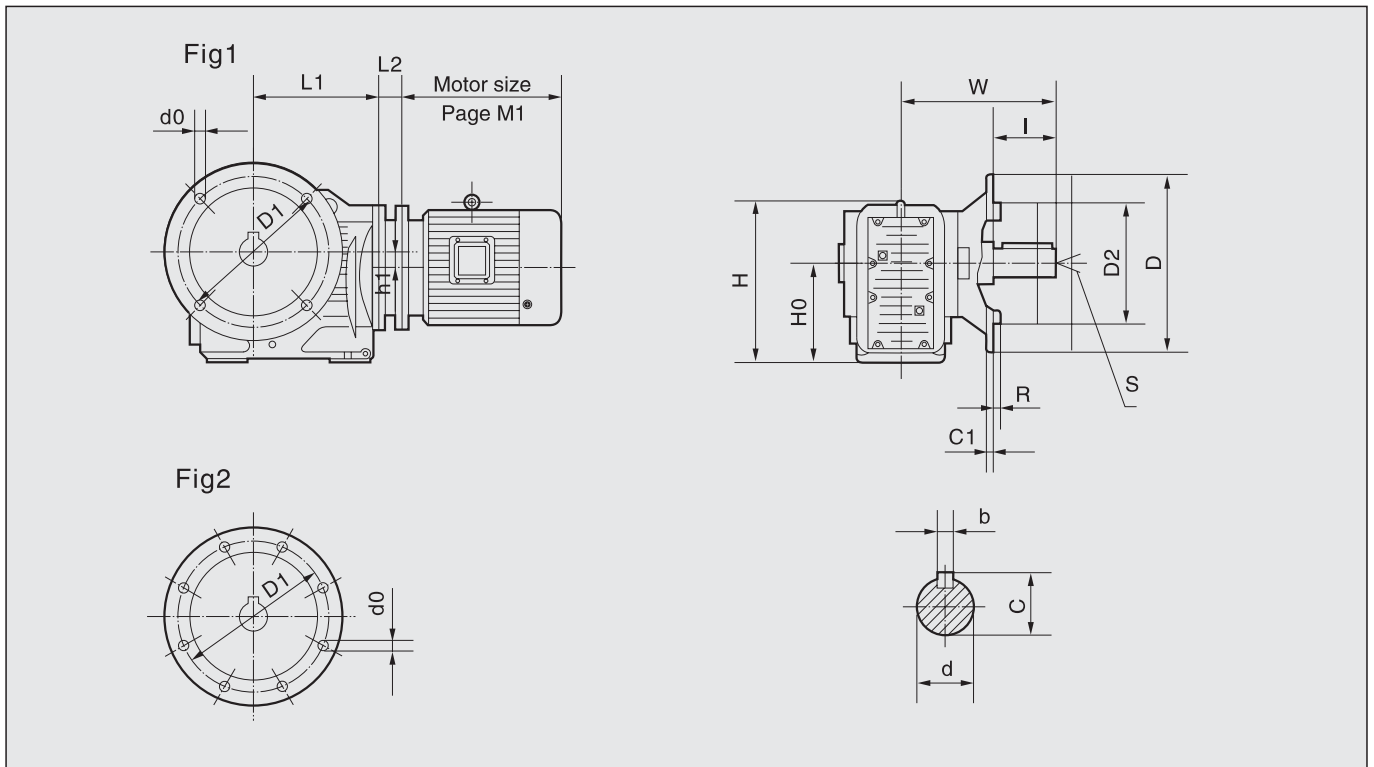
EK SERIES REDUCTOR



Type	Installation dimensions							Shaft dimensions				Overall dimensions		
	L3	D1	R	D2	d0	Fig	M	l	c	b	d	D	C1	W
EKAF37	105	130	3.5	110h7	4-Ø9	1	M10	24	33.3	8	30H7	160	10	60
EKAF47	130	165	3.5	130h7	4-Ø9	1	M12	25	38.3	10	35H7	200	12	75
EKAF57	142	215	4	180h7	4-Ø13.5	1	M16	23.5	43.3	12	40H7	250	15	83
EKAF67	156	215	4	180h7	4-Ø13.5	1	M16	23	43.3	12	40H7	250	15	90
EKAF77	183	265	4	230h7	4-Ø13.5	1	M16	37	53.8	14	50H7	300	16	105
EKAF87	210	300	5	250h7	4-Ø18	1	M20	30	64.4	18	60H7	350	18	120
EKAF97	270	400	5	350h7	8-Ø18	2	M20	41.5	74.9	20	70H7	450	22	150
EKAF107	310	400	5	350h7	8-Ø18	2	M24	41	95.4	25	90H7	450	22	175
EKAF127	370	500	5	450h7	8-Ø18	2	M24	51	106.4	28	100H7	550	25	205
EKAF157	457	600	6	550h7	8-Ø22	2	M24	60	127.4	32	120H7	660	28	250

Note: **EKAF37–EKAF107** The other size refers to page 140
EKAF127–EKAF157 The other size refers to page 138

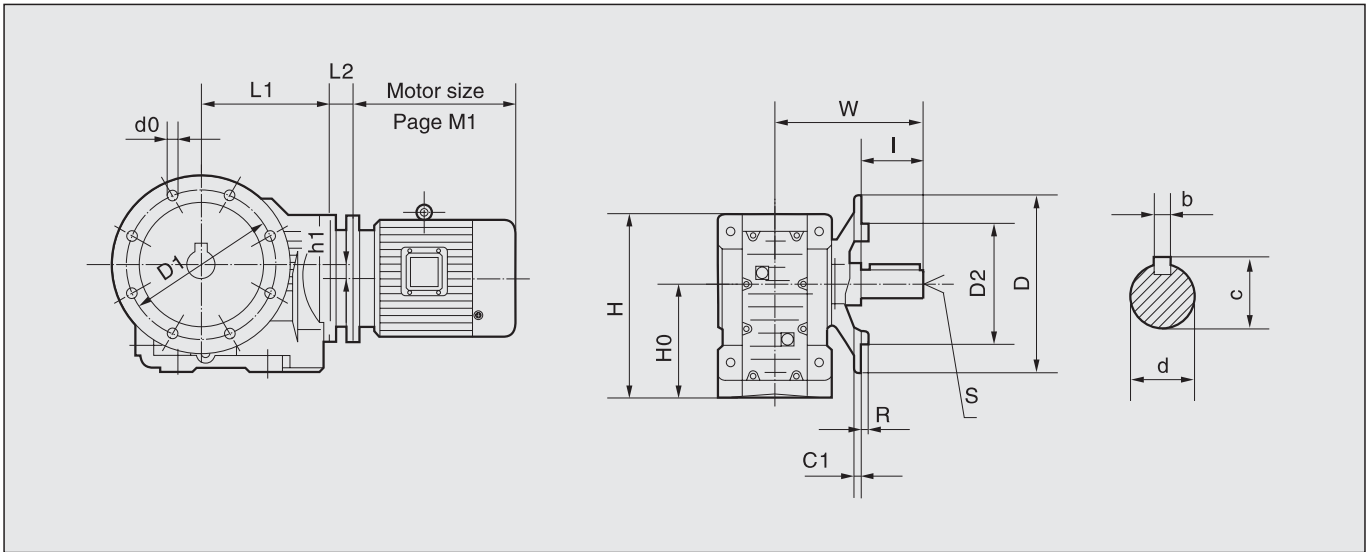
EK SERIES REDUCTOR



Type	Installation dimensions							Shaft dimensions				Overall dimensions						
	H0	S	R	D1	d0	Fig	D2	b	d	l	c	L1	W	D	h1	C1	H	L2
EKF37	100	M10	3.5	130	4-Φ9	1	110h7	8	25k6	50	28	142	134	160	7	10	165	page 93
EKF47	112	M10	3.5	165	4-Φ9	1	130h7	8	30k6	60	33	166	160	200	6.3	12	186	
EKF57	132	M12	4	215	4-Φ13.5	1	130h7	10	40k6	70	38	175	177	250	16.1	15	215	
EKF67	140	M16	4	215	4-Φ13.5	1	180h7	12	40k6	80	43	179	193	250	20	15	228	
EKF77	180	M16	4	265	4-Φ13.5	1	230h7	14	50k6	100	53.5	202	242	300	31.3	16	288	
EKF87	212	M20	5	300	4-Φ18	1	250h7	18	60m6	120	64	257	270	350	25.9	18	340	
EKF97	265	M20	5	400	8-Φ18	2	350h7	20	70m6	140	74.5	277	332	450	32.3	22	414	
EKF107	315	M24	5	400	8-Φ18	2	350h7	25	90m6	170	95	354	386	450	53.5	22	505	

Note: The other size refers to page 140

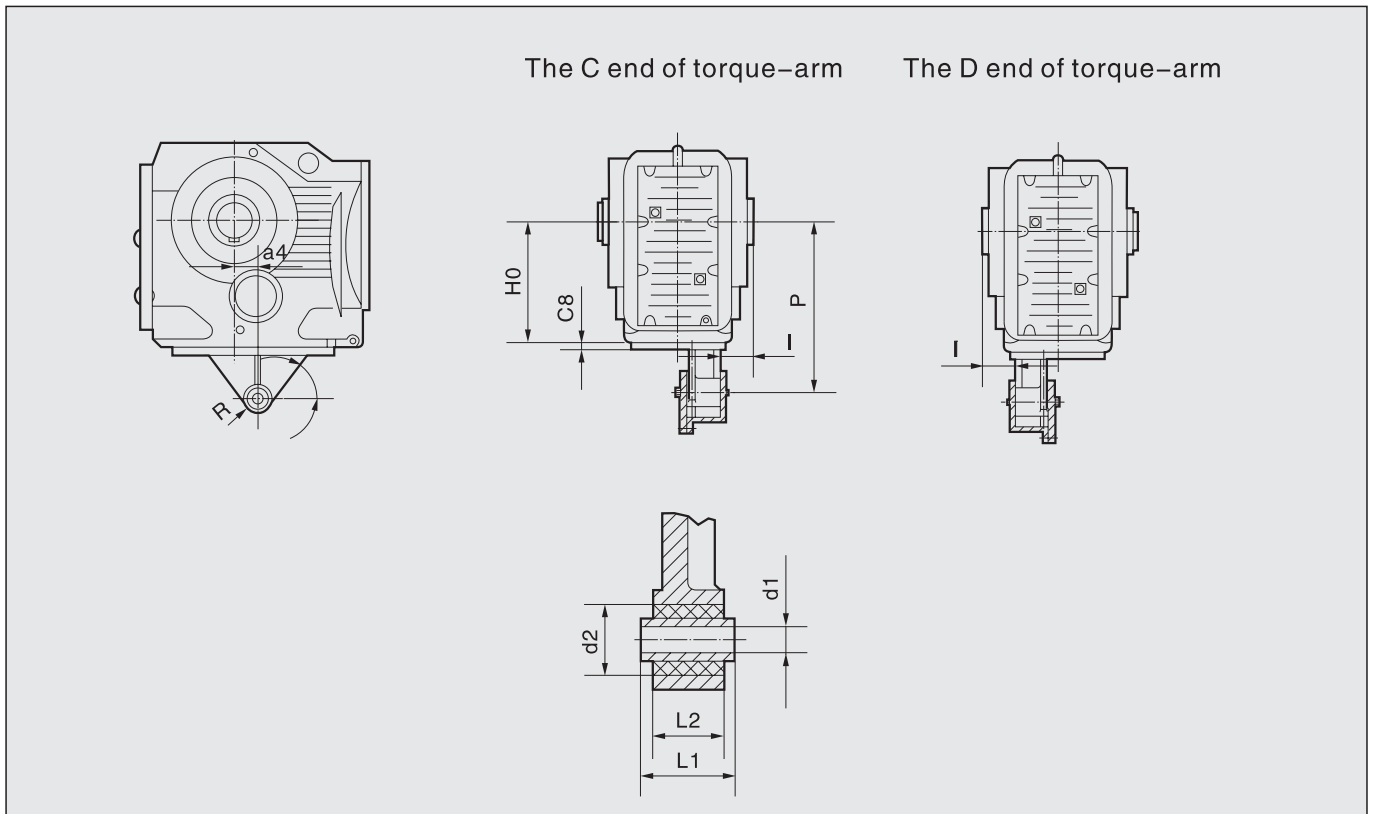
EK SERIES REDUCTOR



Type	Installation dimensions						Shaft dimensions				Overall dimensions						
	H0	S	R	D1	d0	D2	b	d	l	c	L1	W	D	h1	C1	H	L2
EKF127	375	M24	5	500	8-Φ18	450h7	28	110m6	210	116	390	466	550	57.2	25	592	page 93
EKF157	450	M24	6	600	8-Φ22	550h7	32	120m6	210	127	426	520	660	77	28	705	

Note: The other size refers to page 138

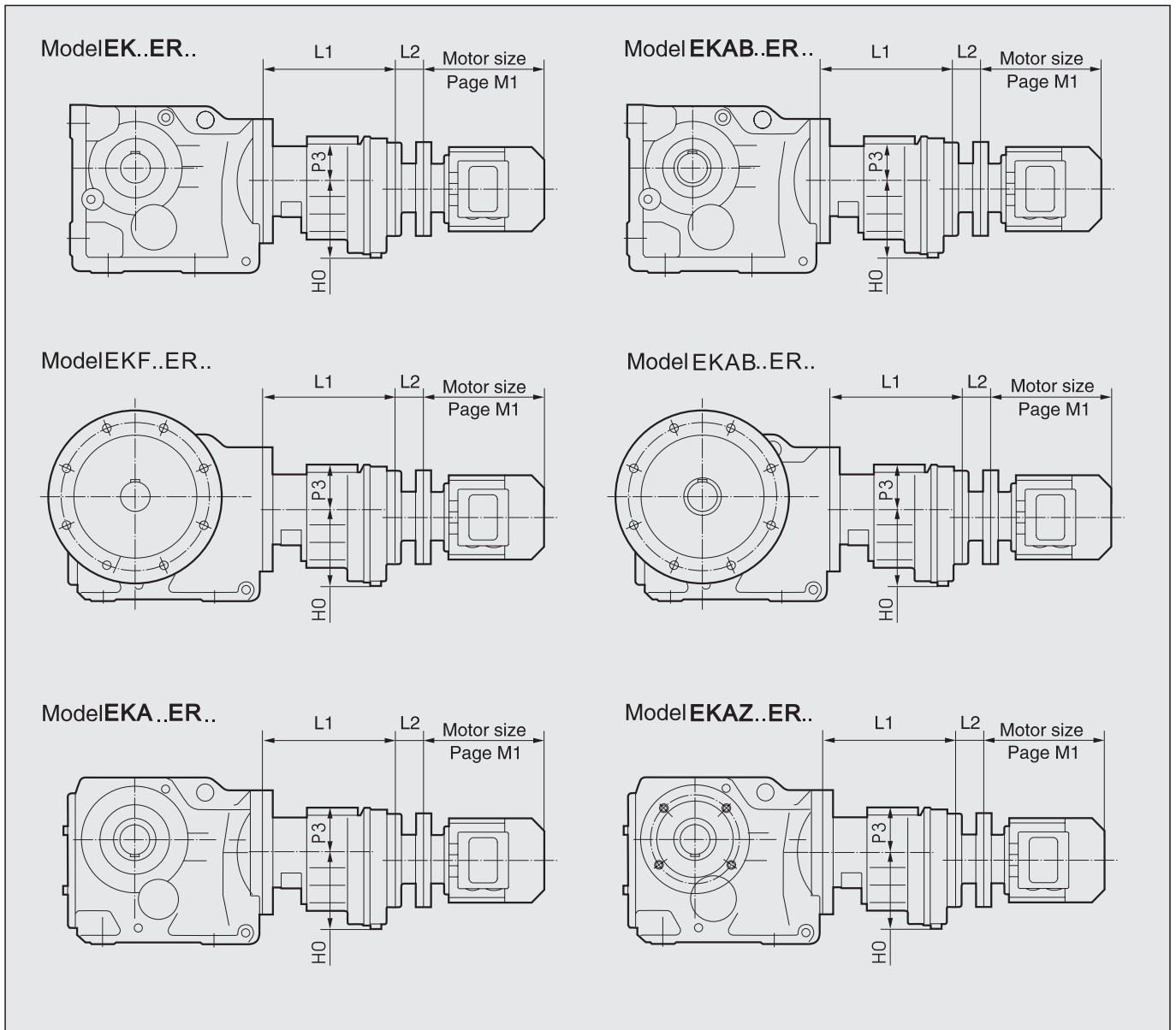
EK SERIES REDUCTOR



Type	L2	β	C8	R	P	l	H0	d1	$L1_{-0.3}^0$	a4	d2
EKAT37	31	60°	10	22.5	140	20	100	10.4±0.1	36	23.5	26 ^{+0.25} _{+0.1}
EKAT47	31	55°	12	22.5	160	20	112	10.4±0.1	36	30	26 ^{+0.25} _{+0.1}
EKAT57	54	55°	13	29	192	18	132	16.4±0.08	60	40	40 ^{+0.25} _{+0.1}
EKAT67	54	55°	13	29	200	25	140	16.4±0.08	60	45	40 ^{+0.25} _{+0.1}
EKAT77	54	60°	14	29	250	25	180	16.4±0.08	60	52.5	40 ^{+0.25} _{+0.1}
EKAT87	72	60°	16	41	300	30	212	25±0.08	80	60	60 ^{+0.25} _{+0.1}
EKAT97	92	50°	17	41	350	40	265	25±0.08	100	70	60 ^{+0.25} _{+0.1}
EKAT107	92	55°	20	41	450	45	315	25±0.08	100	74	60 ^{+0.25} _{+0.1}
EKAT127	110	65°	45	70	550	7	375	40±0.08	126	60	-
EKAT157	110	70°	45	70	700	2	450	40±0.08	126	50	-

Note: The other size refers to page 140-141

EK SERIES REDUCTOR

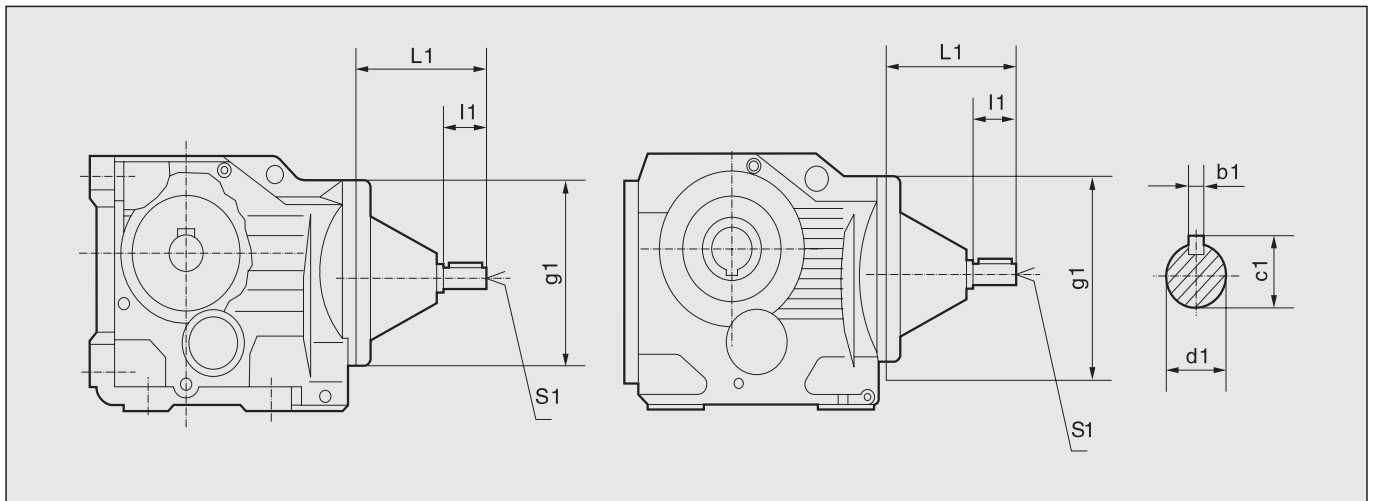


Type	L1	P3	H0	L2
EK..37ER17	145.5	59	76	page 5
EK..47ER37	150.5	61	94	
EK..57ER37	150.5	61	94	
EK..67ER37	150.5	61	94	
EK..77ER37	151	61	94	
EK..87ER57	189	72	121	
EK..97ER57	190	72	121	
EK..107ER77	227	72	121	

Type	L1	P3	H0	L2
EK..127ER77	227	88	144	page 5
EK..127ER87	274	115	184	
EK..157ER97	323	114	230	
EK 167 ER 97	323	114	230	
EK 187 ER 97	323	115	230	
EK..157ER107	361	158	255	
EK167 ER107	361	158	255	
EK187 ER107	361	158	255	

Note: The other size refers to page 138–148

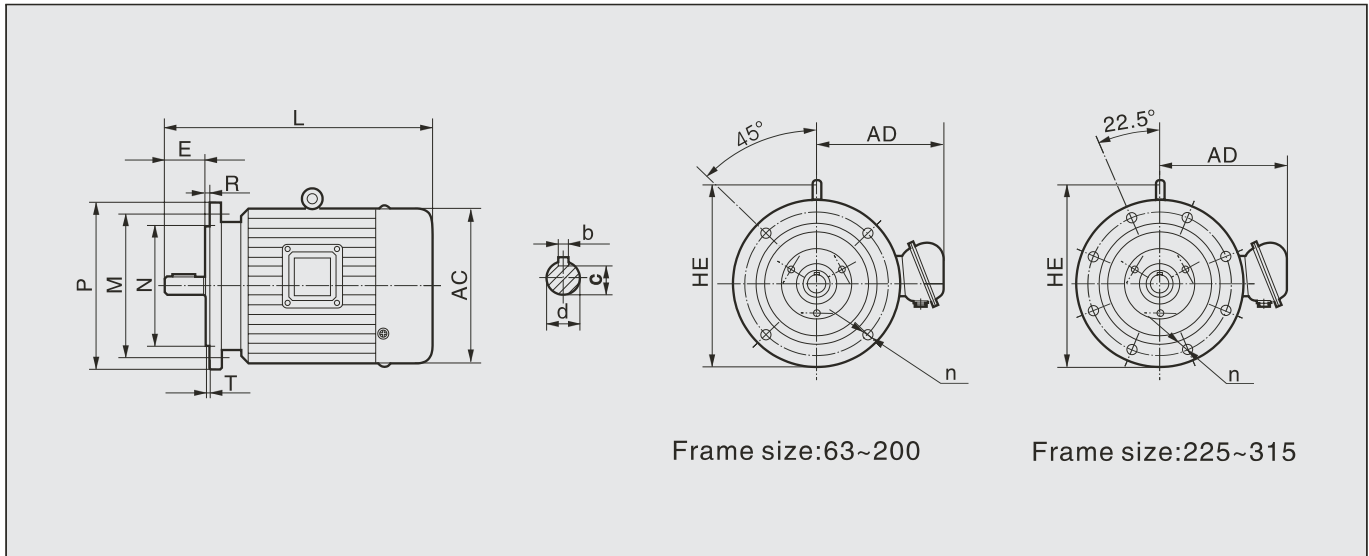
EK SERIES REDUCTOR



Type	d1	L1	l1	S1	c1	b1	g1
EK..S37	16k6	115	40	M5	18	5	120
EK..S47	19k6	120	40	M6	21.5	6	160
EK..S57	19k6	120	40	M6	21.5	6	160
EK..S67	19k6	120	40	M6	21.5	6	160
EK..S77	24k6	140	50	M8	27	8	200
EK..S87	28k6	180	60	M10	31	8	250
EK..S97	38k6	220	80	M12	41	10	300
EK..S107	42k6	270	110	M16	45	12	350
EK..S127	55m6	297	110	M20	59	16	450
EK..S157	70m6	374	140	M20	74.5	20	550

Note: The other size refers to page 138–148

MOTORS



Frame size:63~200

Frame size:225~315

Dimension sheets for Y series three-phase induction motors

Frame size	dimensions (mm)														4P motors							
	M	N	P	R	n	T	d		E		b		c		AC	AD	L		HE	power kw	weight kg	Mass moments of inertia kgm ²
							2P	4P 6P 8P	2P	4P 6P 8P	2P	4P 6P 8P	2P	4P 6P 8P			2P	4P 6P 8P				
63	115	95j6	140	0	4 × Ø10	3	11j6		23		4		8.5		130	70	230	130	0.18	7.7	0.00048	
71	130	110j6	160	0	4 × Ø10	3.5	14j6		30		5		11		145	80	255		145	0.25	11	0.00053
																				0.37	11	0.00066
80	165	130j6	200	0	4 × Ø12	3.5	19j6		40		6		15.5		175	145	295		185	0.55	16	0.00145
																				0.75	17	0.00174
90S	165	130j6	200	0	4 × Ø12	3.5	24j6		50		8		20		195	155	320	195	1.1	21	0.00254	
90L	165	130j6	200	0	4 × Ø12	3.5	24j6		50		8		20		195	155	345	195	1.5	25	0.00317	
100L	215	180j6	250	0	4 × Ø15	4	28j6		60		8		24		215	180	385		245	2.2	32	0.00679
																				3	36	0.00862
112M	215	180j6	250	0	4 × Ø15	4	28j6		60		8		24		240	190	400	265	4	45	0.01306	
132S	265	230j6	300	0	4 × Ø15	4	38k6		80		10		33		275	210	470	315	5.5	60	0.02673	
132M	265	230j6	300	0	4 × Ø15	4	38k6		80		10		33		275	210	510	315	7.5	73	0.03432	
160M	300	250j6	350	0	4 × Ø19	5	42k6		110		12		37		330	255	615	385	11	116	0.06543	
160L	300	250j6	350	0	4 × Ø19	5	42k6		110		12		37		330	255	670	385	15	137	0.09349	
180M	300	250j6	350	0	4 × Ø19	5	48k6		110		14		42.5		380	280	700	430	18.5	170	0.16049	
180L	300	250j6	350	0	4 × Ø19	5	48k6		110		14		42.5		380	280	740	430	22	186	0.18046	
200L	350	300j6	400	0	4 × Ø19	5	55m6		110		16		49		420	305	770	480	30	254	0.2819	
225S	400	350j6	450	0	8 × Ø19	5	-	60m6	-	140	-	18	-	53	470	335	-	815	535	37	308	0.37
225M	400	350j6	450	0	8 × Ø19	5	55m6	60m6	110	140	18	18	49	53	470	335	820	845	535	45	335	0.42
250M ★	500	450j6	550	0	8 × Ø19	5	60m6	65m6	140	140	18	18	53	58	510	370	910	595	55	450	0.78	
280S ★	500	450j6	550	0	8 × Ø19	5	65m6	75m6	140	140	18	20	58	67.5	580	410	985	650	75	534	1.10	
280M ★	500	450j6	550	0	8 × Ø19	5	65m6	75m6	140	140	18	20	58	67.5	580	410	1035	650	90	592	1.35	
315S ★	600	550j6	660	0	8 × Ø24	6	65m6	80m6	140	170	18	22	58	71	645	530	1160	1270	845	110	930	2.8596
315M ★	600	550j6	660	0	8 × Ø24	6	65m6	80m6	140	170	18	22	58	71	645	530	1190	1300	845	132	1030	3.1848
315L ★	600	550j6	660	0	8 × Ø24	6	65m6	80m6	140	170	18	22	58	71	645	530	1190	1300	845	160	1050	3.6765